

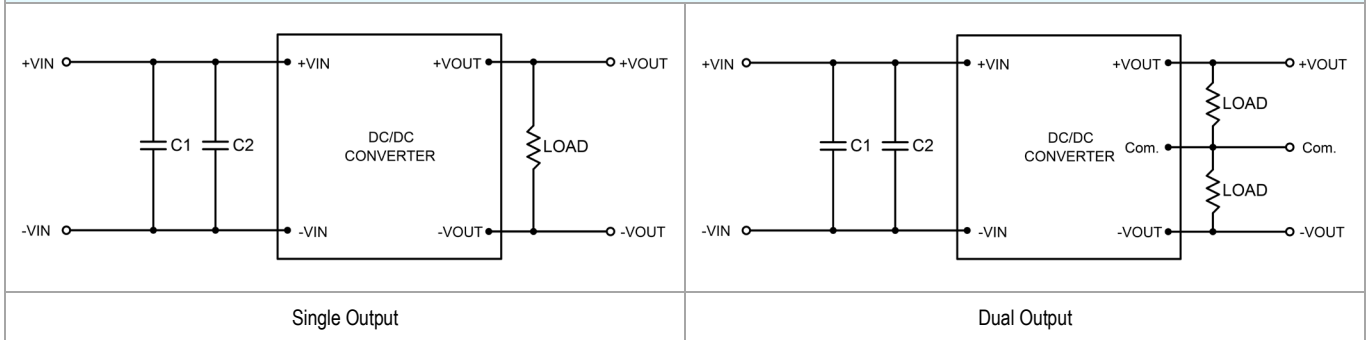


MINMAX[®]

MAPU02H Series - EMC Notes

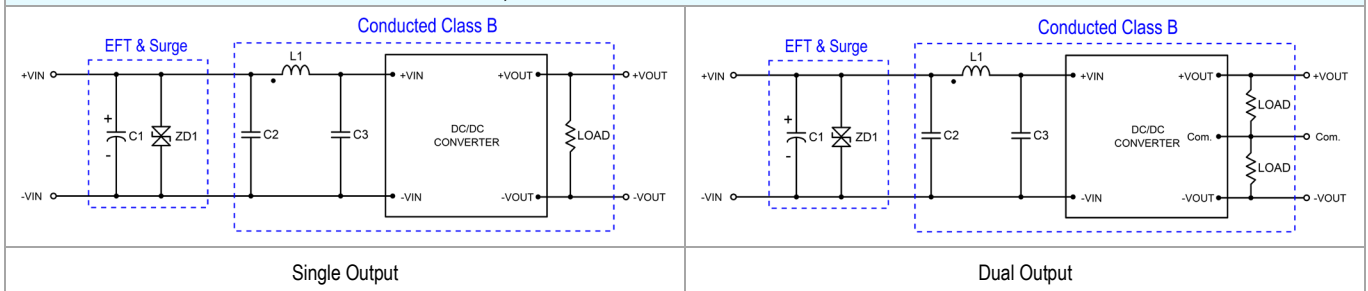
MAPU02H Series - EMC Notes

External Filter meets Conducted EMI EN 55032, class A



Model	Class A	
	C1	C2
MAPU02-05XXXH	---	68 μ F/10V 1206
MAPU02-12XXXH	22 μ F/35V 1206	22 μ F/35V 1206
MAPU02-24XXXH	22 μ F/35V 1206	22 μ F/35V 1206

External Filter meets Conducted EMI EN 55032, class B



Model	EFT & Surge		Class B		
	C1	ZD1	C2	L1	C2
MAPU02-05XXXH	100 μ F/25V CHEMI-CON KY Series	1.5KE7.5CA (TVS Diode)	10 μ F/16V 1206	LQH32CN 6.8 μ H	10 μ F/16V 1206
MAPU02-12XXXH	560 μ F/50V CHEMI-CON KY Series	1.5KE18CA (TVS Diode)	22 μ F/35V 1206	LQH32CN 6.8 μ H	22 μ F/35V 1206
MAPU02-24XXXH	820 μ F/50V CHEMI-CON KY Series	---	22 μ F/35V 1206	LQH32CN 6.8 μ H	22 μ F/35V 1206