

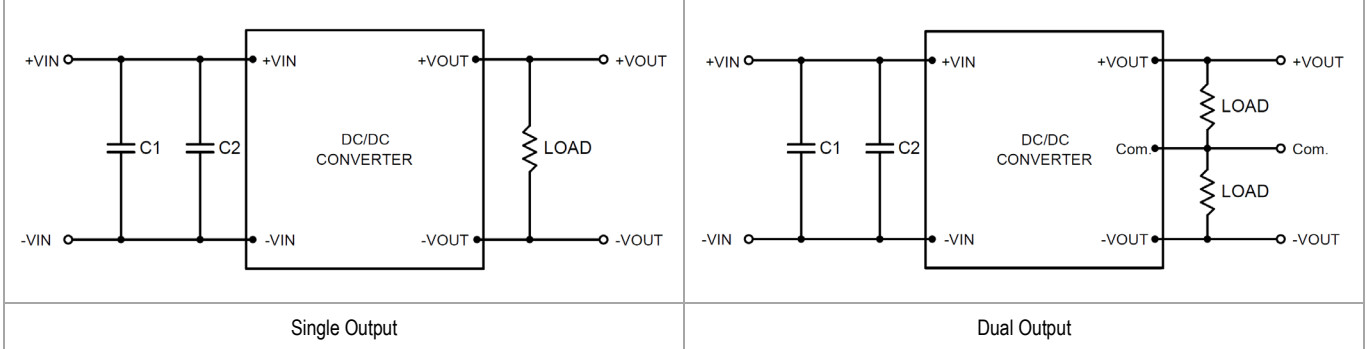


MINMAX[®]

MAU200 Series - EMC Notes

MAU200 Series - EMC Notes

External Filter meets Conducted EMI EN 55022, class A; FCC part 15, level A



Model	C1	C2
MAU20X	4.7 μ F/16V 1206 MLCC	---
MAU21X	10 μ F/16V 1206 MLCC	---
MAU22X	4.7 μ F/50V 1206 MLCC	4.7 μ F/50V 1206 MLCC