

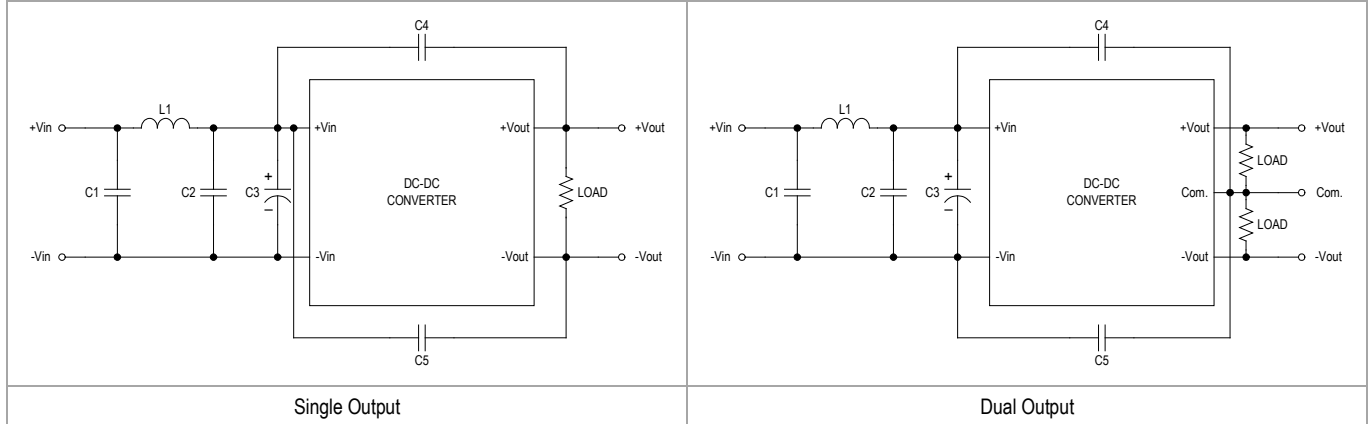


**MINMAX<sup>®</sup>**

MCWI02 Series - EMC Notes

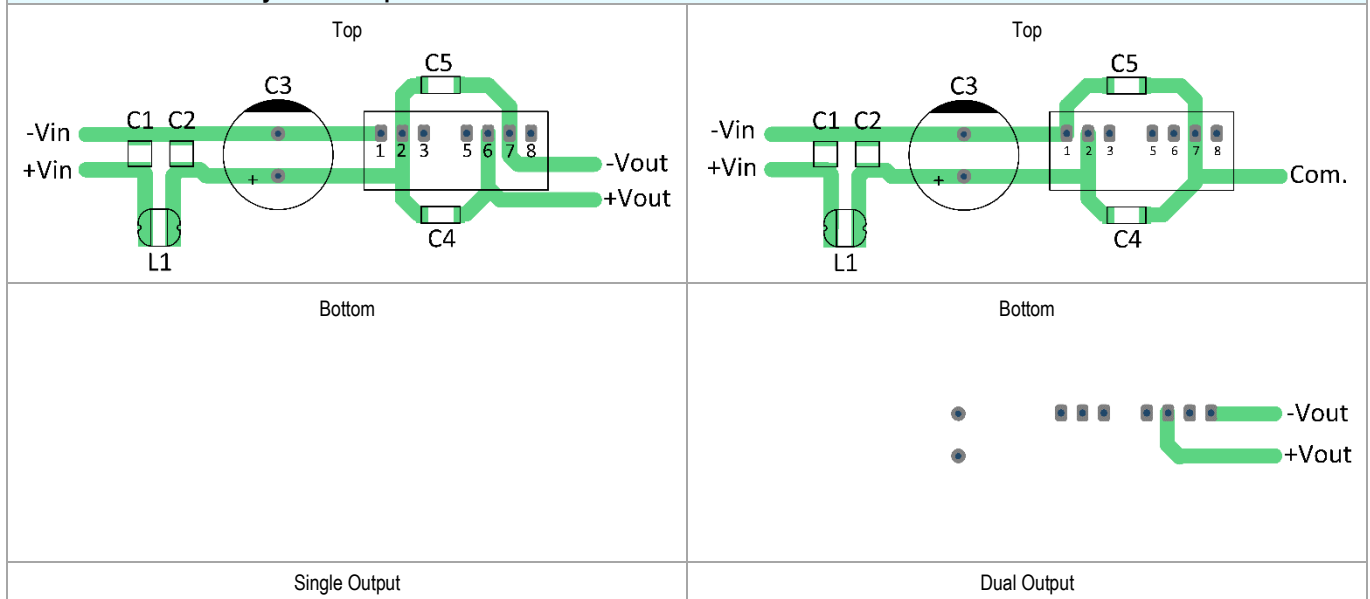
# MCWI02 Series - EMC Notes

## External Filter meets EMI Total solution EN 55032, class A



Model	C1, C2	L1	C3	C4, C5
MCWI02 Series	4.7 $\mu$ F/100V 1210 X7S	4.7 $\mu$ H/1.82A 744773047	220 $\mu$ F/100V CHEMI-CON KYA Series	220pF/2kV 1808 X7R

## Recommended PCB Layout with Input Filter



## MCWI02 Series - EMC Notes

### External Filter meets EMS (for EFT & Surge) EN 55035, criteria A



Model	C3
MCWI02 Series	220µF/100V CHEMI-CON KYA Series

### Recommended PCB Layout with Input Filter

