

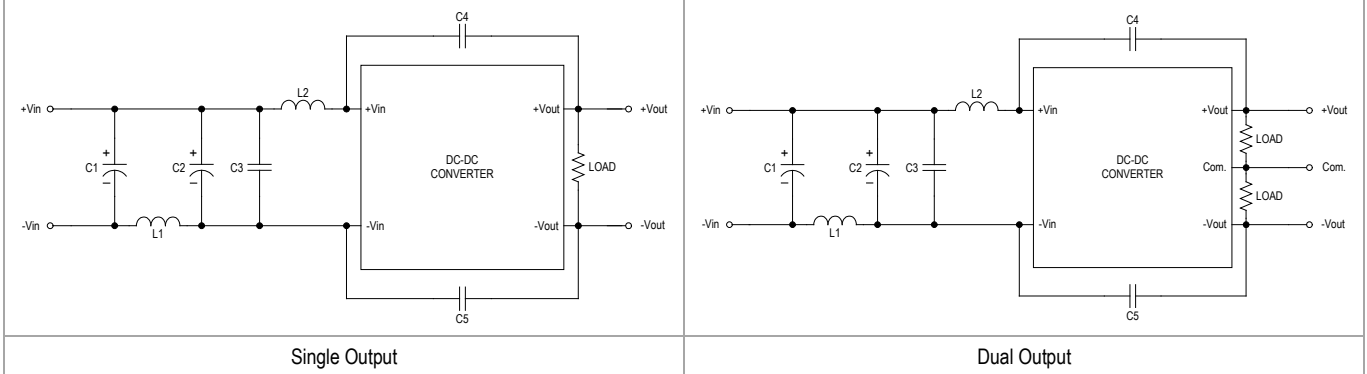


MINMAX[®]

MCWI10 Series - EMC Notes

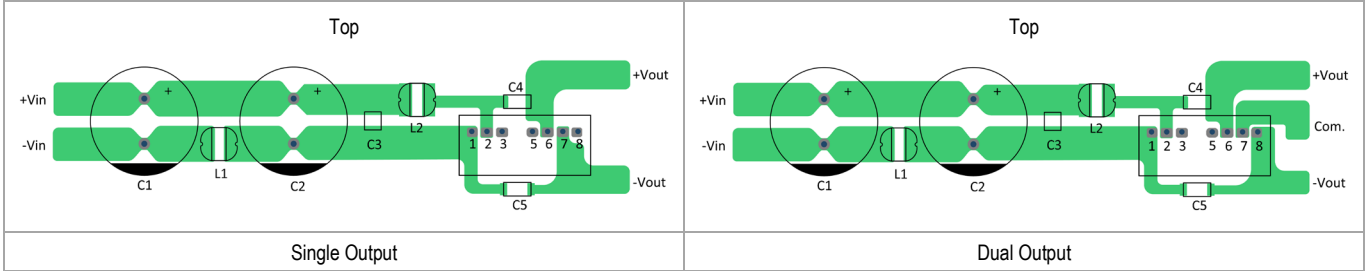
MCWI10 Series - EMC Notes

External Filter meets EMI Total solution (for Surge & EFT Filter) EN 55032, class A



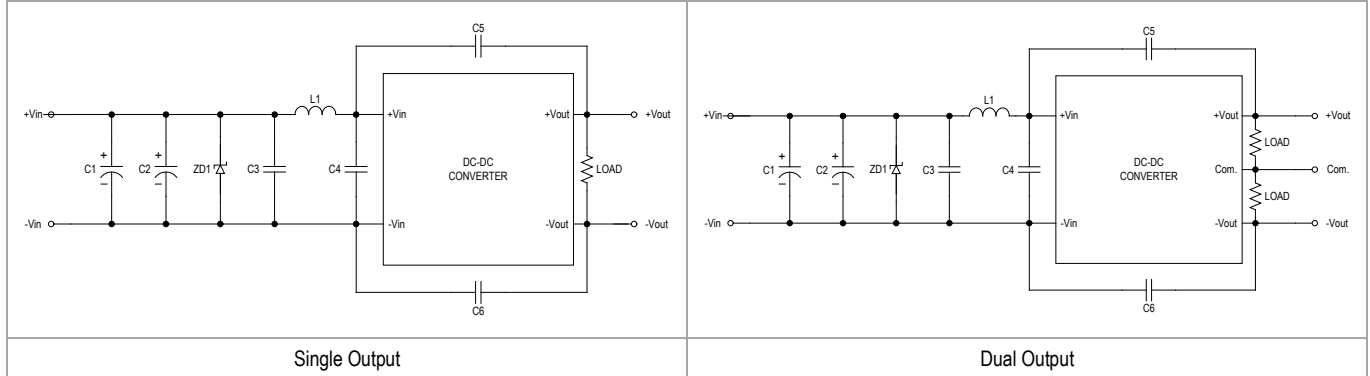
Model	C1, C2	L1, L2	C3	C4, C5
MCWI10-12XXX	1200µF/50V CHEMI-CON KY Series	3.3µH/3A 7447745033	10µF/50V 1210 X7R	220pF/2kV 1808 X7R

Recommended PCB Layout with Input Filter



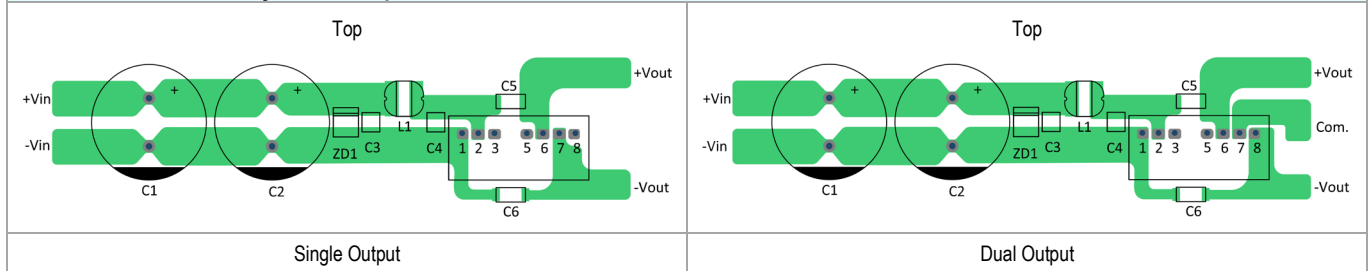
MCWI10 Series - EMC Notes

External Filter meets EMI Total solution (for Surge & EFT Filter) EN 55032, class A



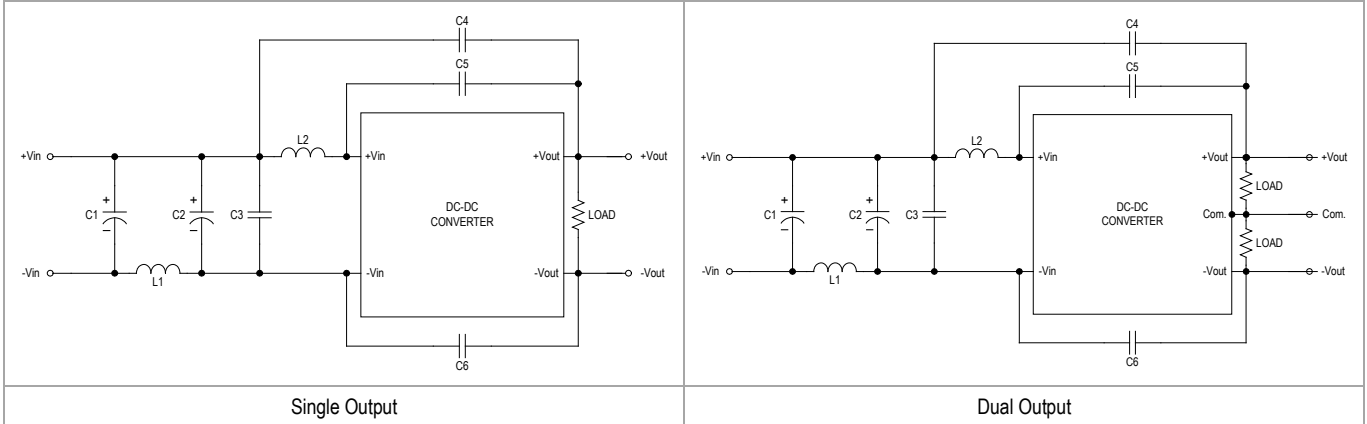
Model	C1, C2	ZD1	C3	L1	C4	C5	C6
MCWI10-24XXX	1200µF/50V CHEMI-CON KY Series	SMBJ70A	10µF/50V 1210 X7R	3.3µH/3A 7447745033	10µF/50V 1210 X7R	1000pF/2kV 1808 X7R	1000pF/2kV 1808 X7R
MCWI10-48S051	470µF/100V CHEMI-CON KY Series	SMBJ120A	4.7µF/100V 1210 X7R	10µH/1.7A 7447745100	---	470pF/2kV 1808 X7R	220pF/2kV 1808 X7R
MCWI10-48S12 MCWI10-48S15 MCWI10-48S24 MCWI10-48DXX	470µF/100V CHEMI-CON KY Series	SMBJ120A	4.7µF/100V 1210 X7R	10µH/1.7A 7447745100	4.7µF/100V 1210 X7R	220pF/2kV 1808 X7R	220pF/2kV 1808 X7R

Recommended PCB Layout with Input Filter



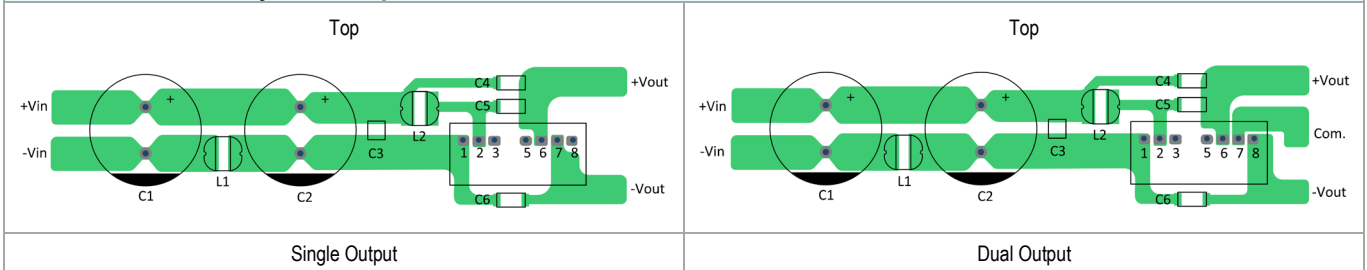
MCWI10 Series - EMC Notes

External Filter meets EMI Total solution (for Surge & EFT Filter) EN 55032, class B



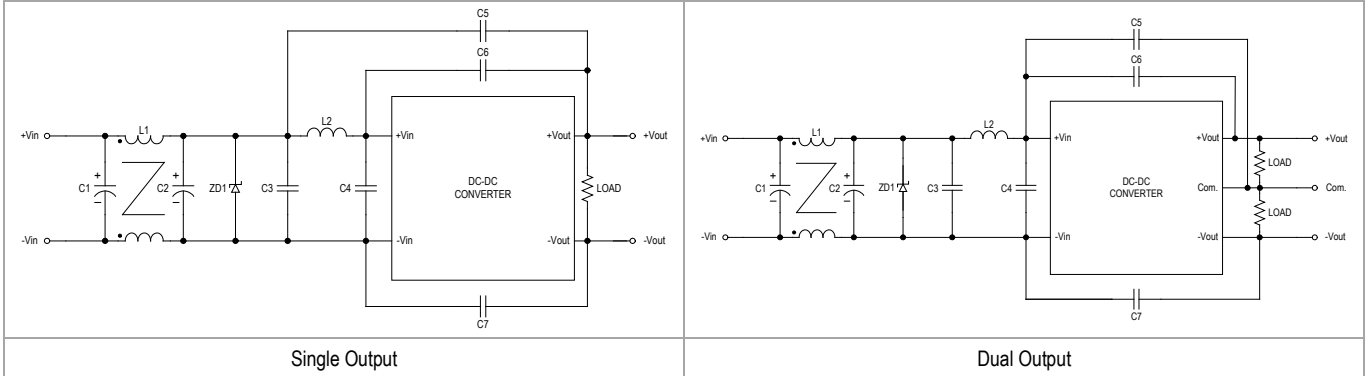
Model	C1, C2	L1, L2	C3	C4	C5	C6
MCWI10-12SXX	1200µF/50V CHEMI-CON KY Series	3.3µH/3A 7447745033	22µF/25V 1210 X5R	330pF/2kV 1808 X7R	470pF/2kV 1808 X7R	220pF/2kV 1808 X7R
MCWI10-12DXX	1200µF/50V CHEMI-CON KY Series	3.3µH/3A 7447745033	22µF/25V 1210 X5R	470pF/2kV 1808 X7R	470pF/2kV 1808 X7R	220pF/2kV 1808 X7R

Recommended PCB Layout with Input Filter



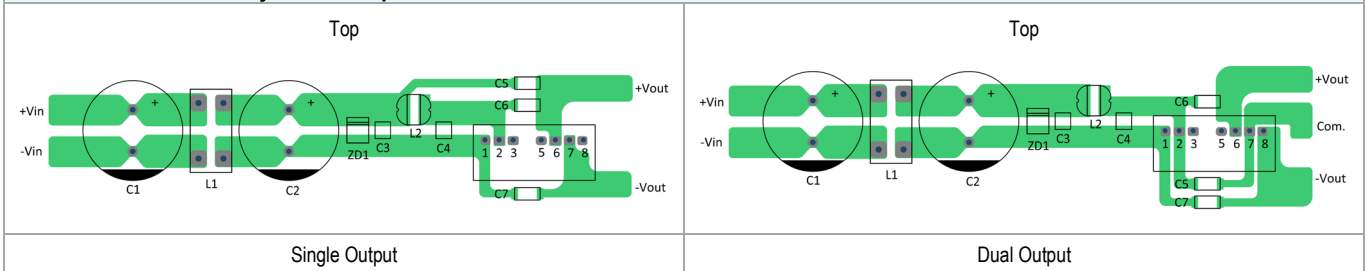
MCWI10 Series - EMC Notes

External Filter meets EMI Total solution (for Surge & EFT Filter) EN 55032, class B



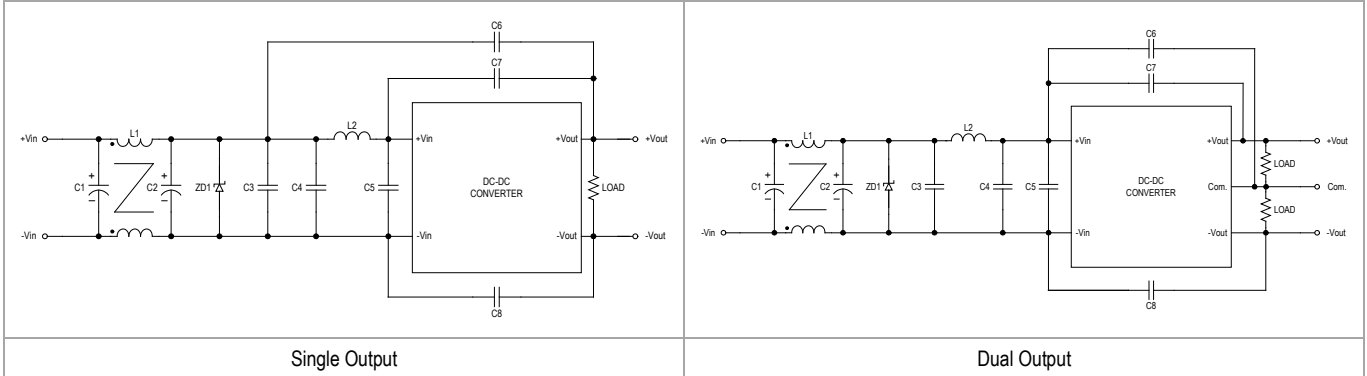
Model	C1, C2	L1	ZD1	C3, C4	L3	C5	C6	C7
MCWI10-24S051	1200µF/50V							
MCWI10-24S12	CHEMI-CON	Short	SMBJ70A	2.2µF/50V	3.3µH/3A	1000pF/2kV	470pF/2kV	2200pF/2kV
MCWI10-24S24	KY Series			1210 X7R	7447745033	1808 X7R	1808 X7R	1808 X7R
MCWI10-24S15	1200µF/50V	30µH/3A	SMBJ70A	2.2µF/50V	3.3µH/3A	1000pF/2kV	220pF/2kV	220pF/2kV
	CHEMI-CON	744841330		1210 X7R	7447745033	1808 X7R	1808 X7R	1808 X7R
	KY Series							
MCWI10-24D12	1200µF/50V	30µH/3A	SMBJ70A	1µF/50V	3.3µH/3A	470pF/2kV	220pF/2kV	220pF/2kV
	CHEMI-CON	744841330		1210 X7R	7447745033	1808 X7R	1808 X7R	1808 X7R
	KY Series							
MCWI10-24D15	1200µF/50V	Short	SMBJ70A	1µF/50V	3.3µH/3A	470pF/2kV	220pF/2kV	220pF/2kV
	CHEMI-CON			1210 X7R	7447745033	1808 X7R	1808 X7R	1808 X7R
	KY Series							

Recommended PCB Layout with Input Filter



MCWI10 Series - EMC Notes

External Filter meets EMI Total solution (for Surge & EFT Filter) EN 55032, class B



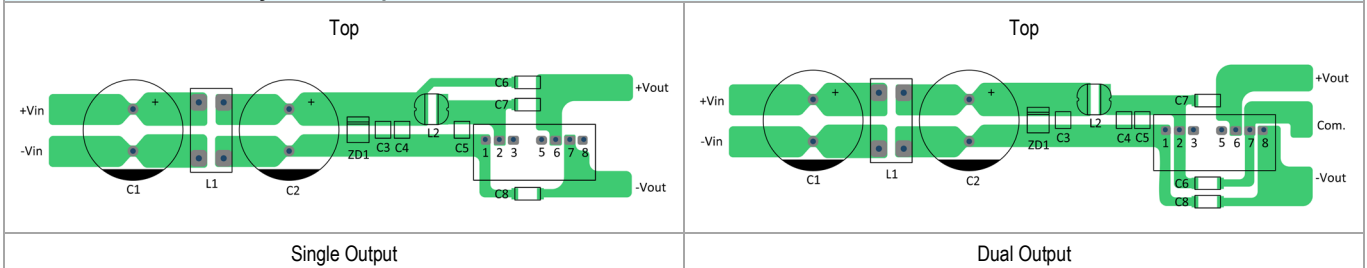
Model	C1, C2	L1	ZD1	C3, C5	C4	L2	C6	C7	C8
MCWI10-48S051	470µF/100V CHEMI-CON KY Series	30µH/3A 744841330	SMBJ120A	1µF/100V 1210 X7R	---	3.3µH/3A 7447745033	1000pF/2kV 1808 X7R	470pF/2kV 1808 X7R	2200pF/2kV 1808 X7R

Model	C1, C2	L1	ZD1	C3, C4	L2	C5	C6	C7, C8
MCWI10-48S12	470µF/100V	30µH/3A	SMBJ120A	4.7µF/100V	3.3µH/3A	1µF/100V	470pF/2kV	220pF/2kV
MCWI10-48S15	CHEMI-CON	744841330		1210 X7R	7447745033	1210 X7R	1808 X7R	1808 X7R
MCWI10-48S24	KY Series							

Model	C1, C2	L1	ZD1	C3, C4	L2	C5	C6, C8	C7
MCWI10-48D12	470µF/100V CHEMI-CON KY Series	30µH/3A 744841330	SMBJ120A	4.7µF/100V 1210 X7R	3.3µH/3A 7447745033	---	220pF/2kV 1808 X7R	470pF/2kV 1808 X7R

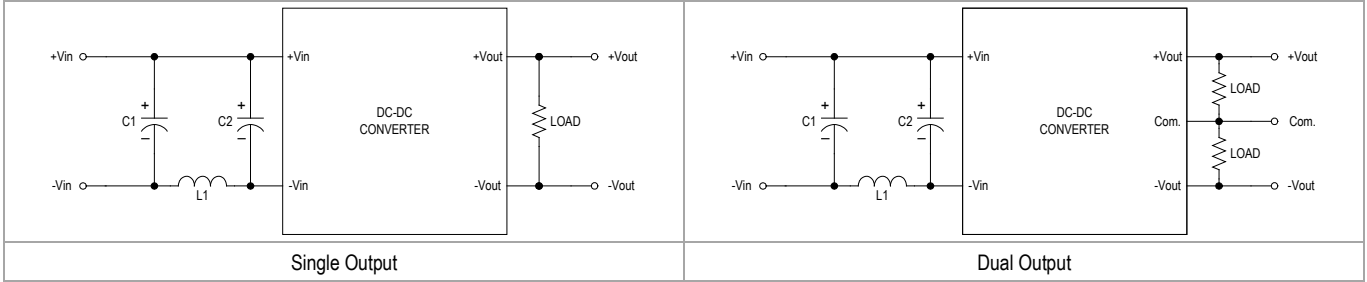
Model	C1, C2	L1	ZD1	C3, C4, C5	L2	C6, C7, C8
MCWI10-48D15	470µF/100V CHEMI-CON KY Series	30µH/3A 744841330	SMBJ120A	4.7µF/100V 1210 X7R	3.3µH/3A 7447745033	1000pF/2kV 1808 X7R

Recommended PCB Layout with Input Filter



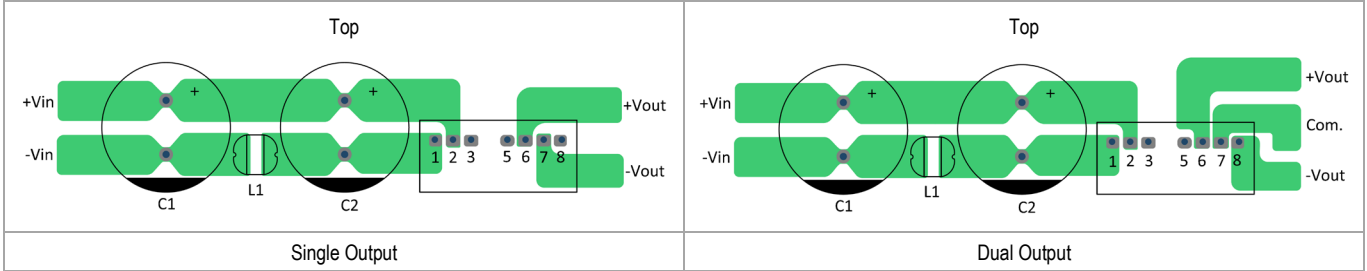
MCWI10 Series - EMC Notes

External Filter meets EMS (for Surge & EFT) EN 55035, criteria A



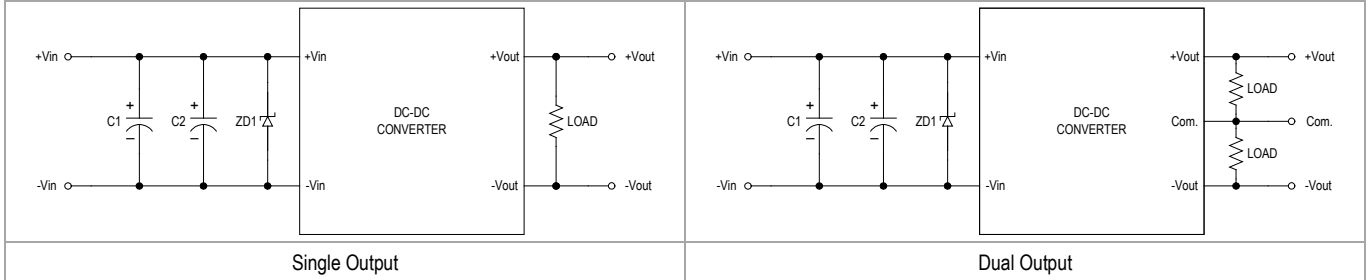
Model	C1, C2	L1
MCWI10-12XXX	1200 μ F/50V CHEMI-CON KY Series	3.3 μ H/3A 7447745033

Recommended PCB Layout with Input Filter



MCWI10 Series - EMC Notes

External Filter meets EMS (for Surge & EFT) EN 55035, criteria A



Model	C1, C2	ZD1
MCWI10-24XXX	1200 μ F/50V CHEMI-CON KY Series	SMBJ70A
MCWI10-48XXX	470 μ F/100V CHEMI-CON KY Series	SMBJ120A

Recommended PCB Layout with Input Filter

