

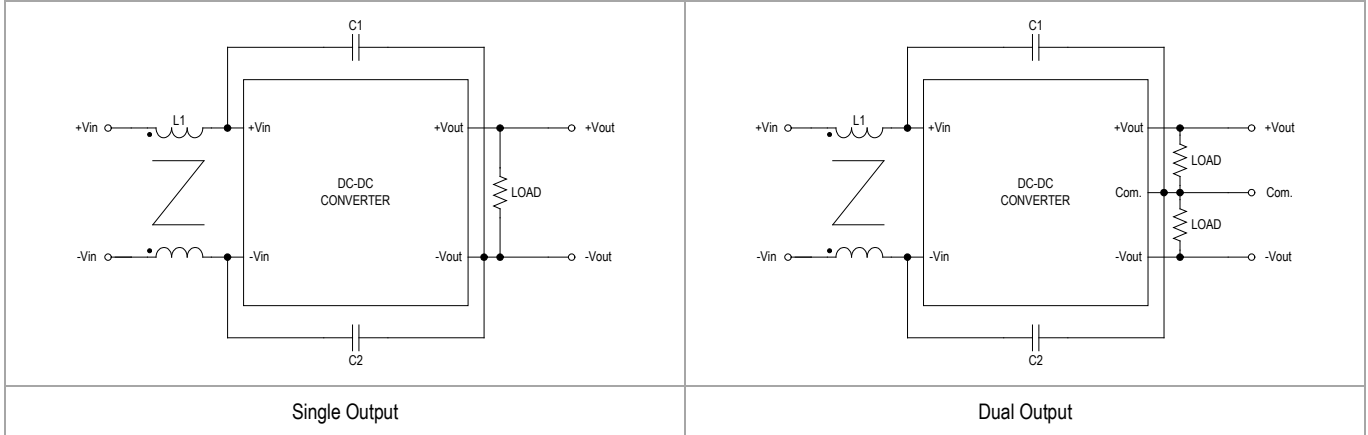


MINMAX[®]

MDW10 Series - EMC Notes

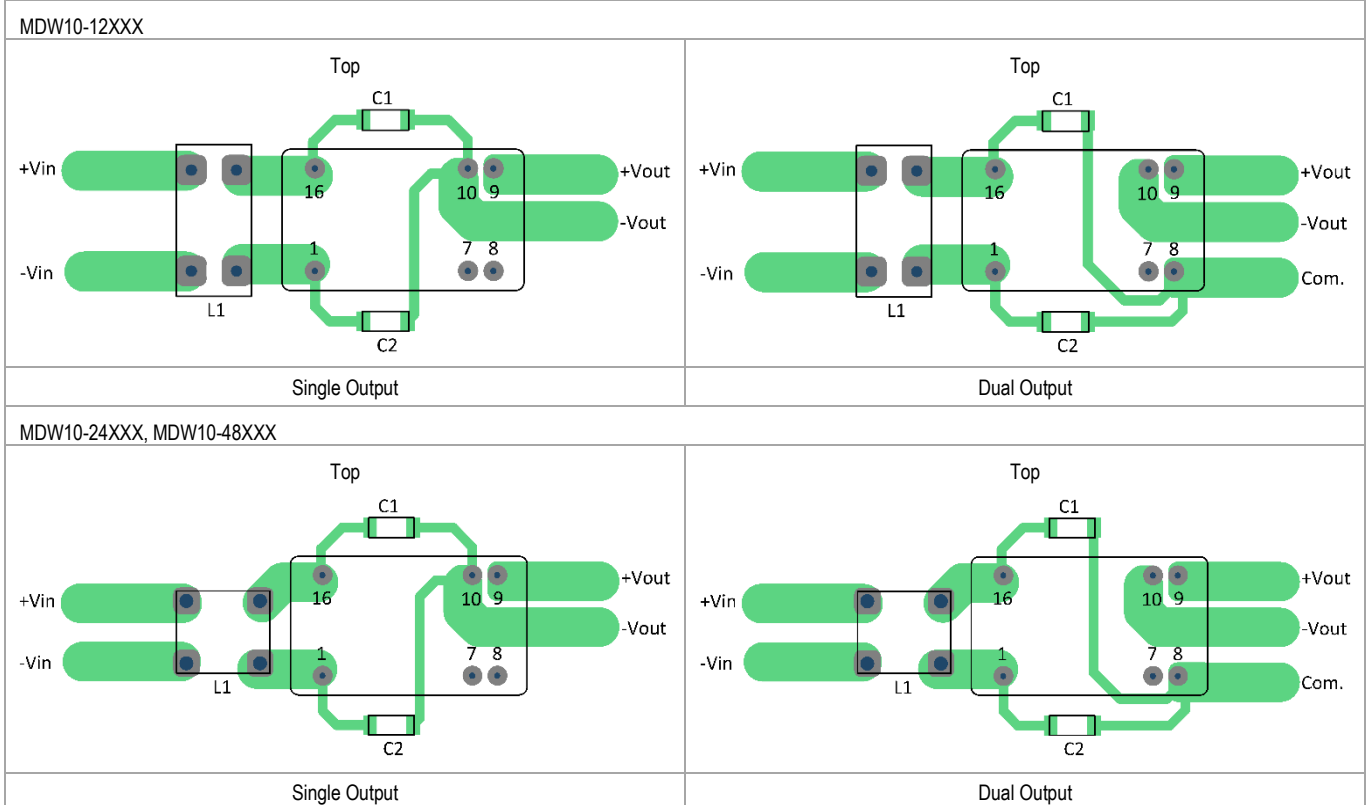
MDW10 Series - EMC Notes

External Filter meets Radiated EMI EN 55032, class A



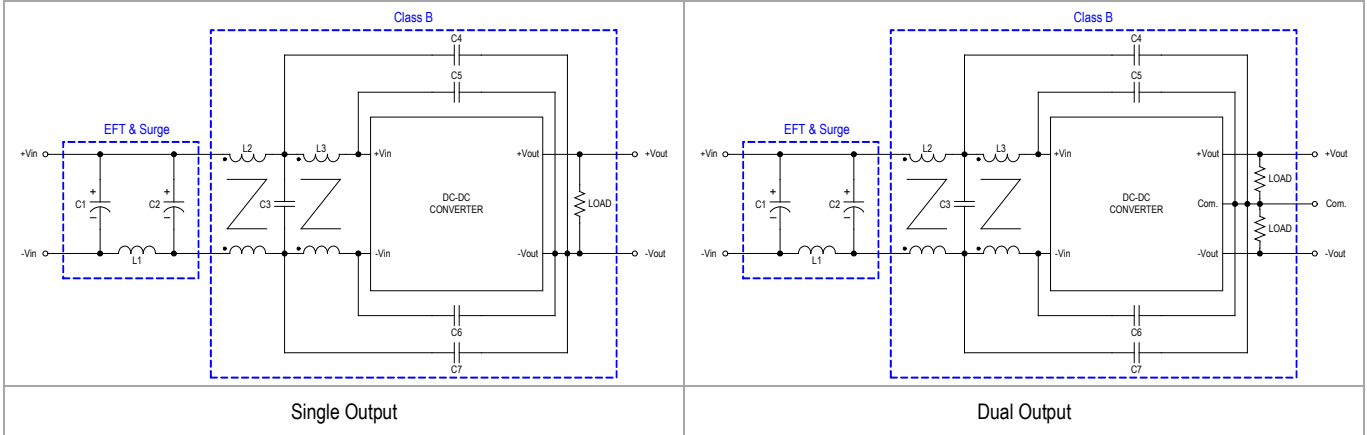
Model	Class A	
	L1	C1, C2
MDW10-12XXX	30μH/3A 744841330	100pF/2kV 1808
MDW10-24XXX MDW10-48XXX	30μH/1.4A 744273222	100pF/2kV 1808

Recommended PCB Layout with Input Filter



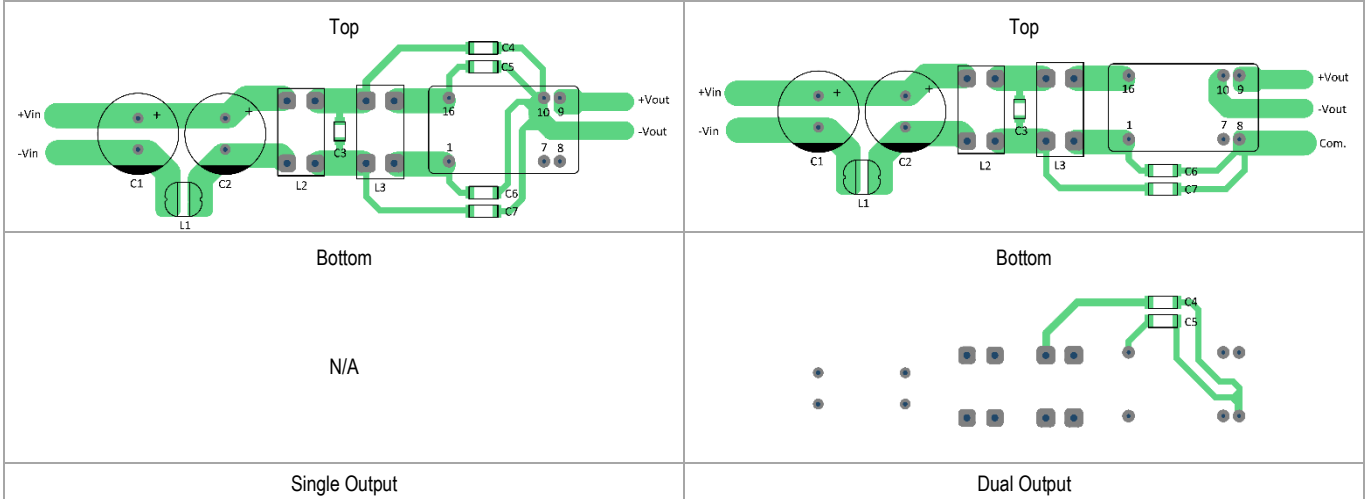
MDW10 Series - EMC Notes

External Filter meets EMI EN 55032, class B



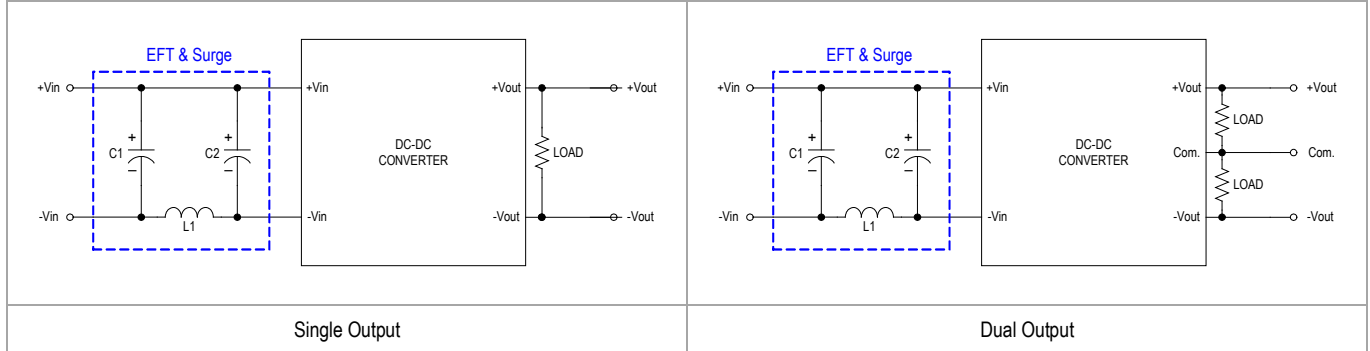
Model	EFT & Surge			Class B				
	C1	L1	C2	L2	C3	L3	C4, C7	C5, C6
MDW10-12XXX MDW10-24XXX	560μF/50V CHEMI-CON KY Series	10μH/2.2A 74477410	560μF/50V CHEMI-CON KY Series	1mH/2.5A 7448012501	2.2μF/100V 1206	0.4mH/4.5A 7448014501	100pF/2kV 1808	470pF/2kV 1808
MDW10-48XXX	---	---	560μF/100V CHEMI-CON KY Series					

Recommended PCB Layout with Input Filter



MDW10 Series - EMC Notes

External Filter meets EFT & Surge



Model	EFT & Surge		
	C1	L1	C2
MDW10-12XXX MDW10-24XXX	560 μ F/50V CHEMI-CON KY Series	10 μ H/2.2A 74477410	560 μ F/50V CHEMI-CON KY Series
MDW10-48XXX	---	---	560 μ F/100V CHEMI-CON KY Series

Recommended PCB Layout with Input Filter

