

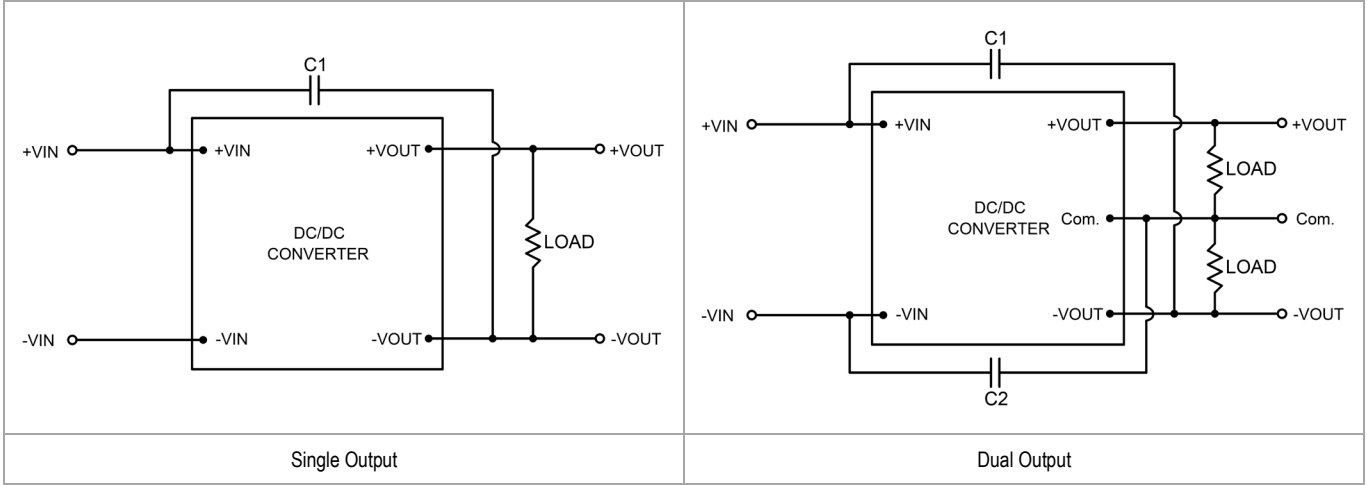


**MINMAX<sup>®</sup>**

MDWI06 Series - EMC Notes

# MDWI06 Series - EMC Notes

**External Filter meets Radiated EMI EN 55032 & EN 55022, class A ; FCC part 15 ,level A**



Class	Model	C1	C2
Class A	MDWI06-XXSXX	220pF/2kV 1808 X7R	---
	MDWI06-XXDXX	470pF/2kV 1808 X7R	470pF/2kV 1808 X7R