

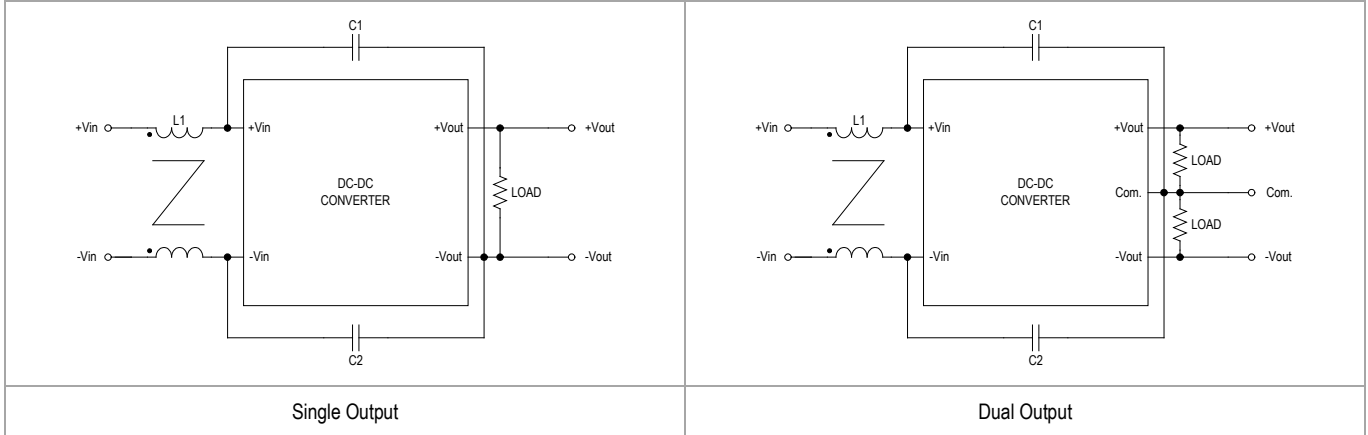


**MINMAX<sup>®</sup>**

MDWI10 Series - EMC Notes

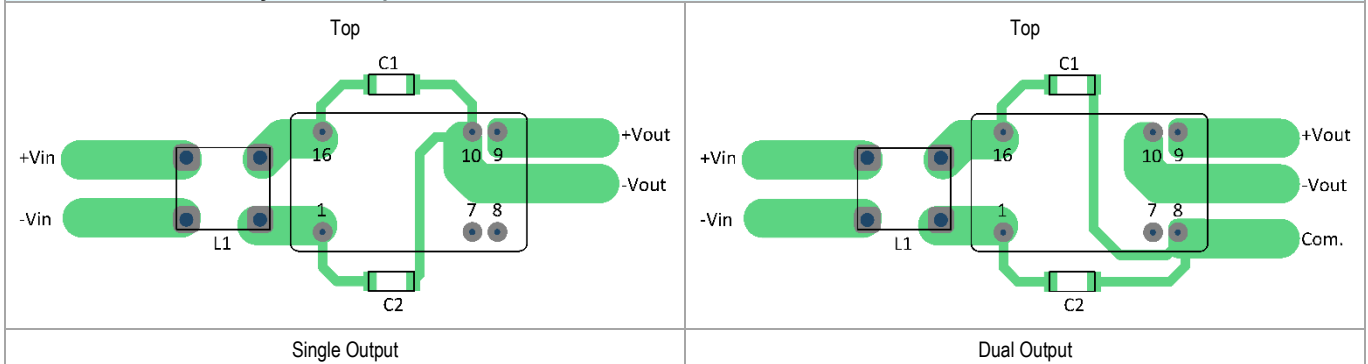
# MDWI10 Series - EMC Notes

## External Filter meets Radiated EMI EN 55032, class A



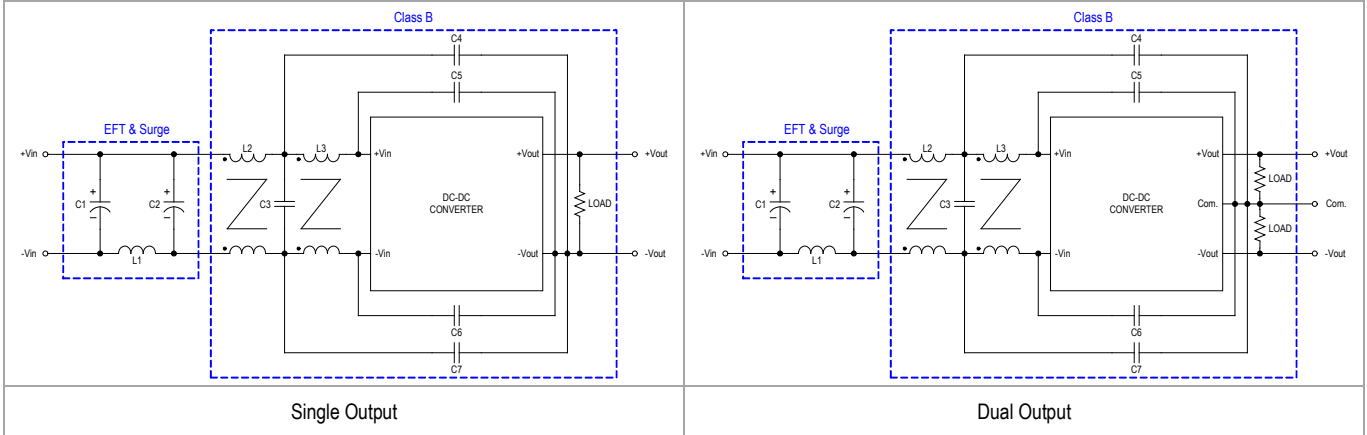
Model	Class A	
	L1	C1, C2
MDWI10 Series	30μH/1.4A 744273222	100pF/2kV 1808

## Recommended PCB Layout with Input Filter



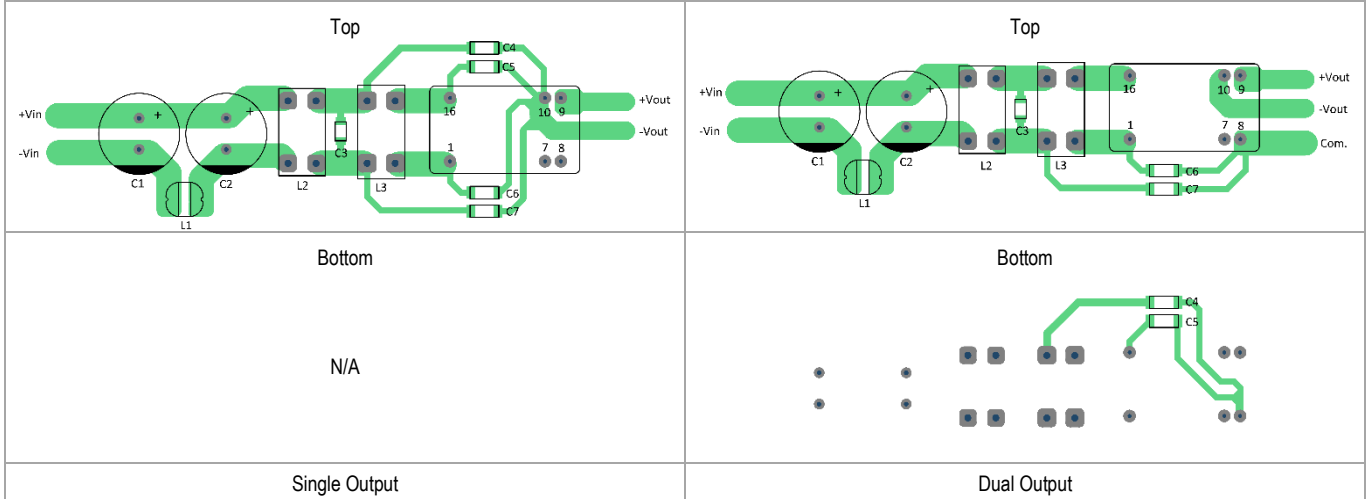
# MDWI10 Series - EMC Notes

## External Filter meets EMI EN 55032, class B



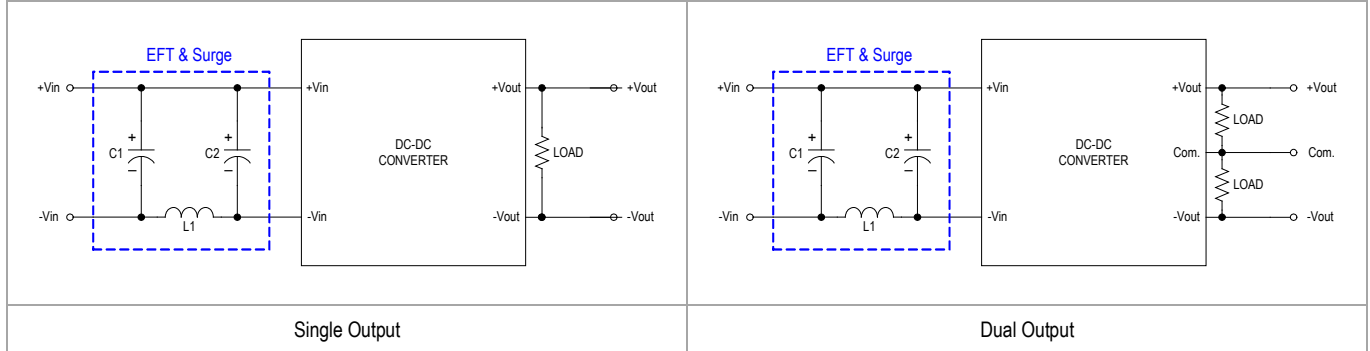
Model	EFT & Surge			Class B				
	C1	L1	C2	L2	C3	L3	C4, C7	C5, C6
MDWI10-24XXX	560 $\mu$ F/50V CHEMI-CON KY Series	10 $\mu$ H/2.2A 74477410	560 $\mu$ F/50V CHEMI-CON KY Series	1mH/2.5A 7448012501	2.2 $\mu$ F/100V 1206	0.4mH/4.5A 7448014501	100pF/2kV 1808	470pF/2kV 1808
MDWI10-48XXX	---	---	560 $\mu$ F/100V CHEMI-CON KY Series					

## Recommended PCB Layout with Input Filter



# MDWI10 Series - EMC Notes

## External Filter meets EFT & Surge



Model	EFT & Surge		
	C1	L1	C2
MDWI10-24XXX	560 $\mu$ F/50V CHEMI-CON KY Series	10 $\mu$ H/2.2A 74477410	560 $\mu$ F/50V CHEMI-CON KY Series
MDWI10-48XXX	---	---	560 $\mu$ F/100V CHEMI-CON KY Series

## Recommended PCB Layout with Input Filter

