

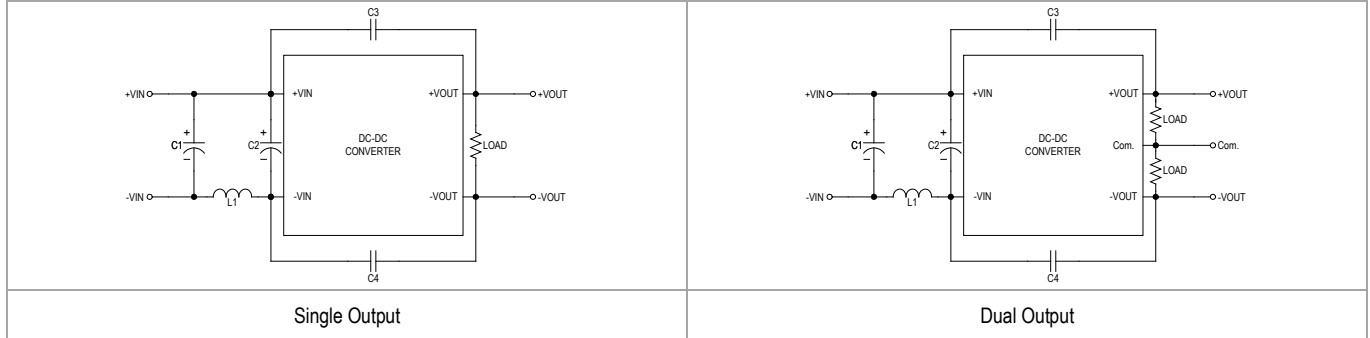


MINMAX[®]

MDWI12 Series - EMC Notes

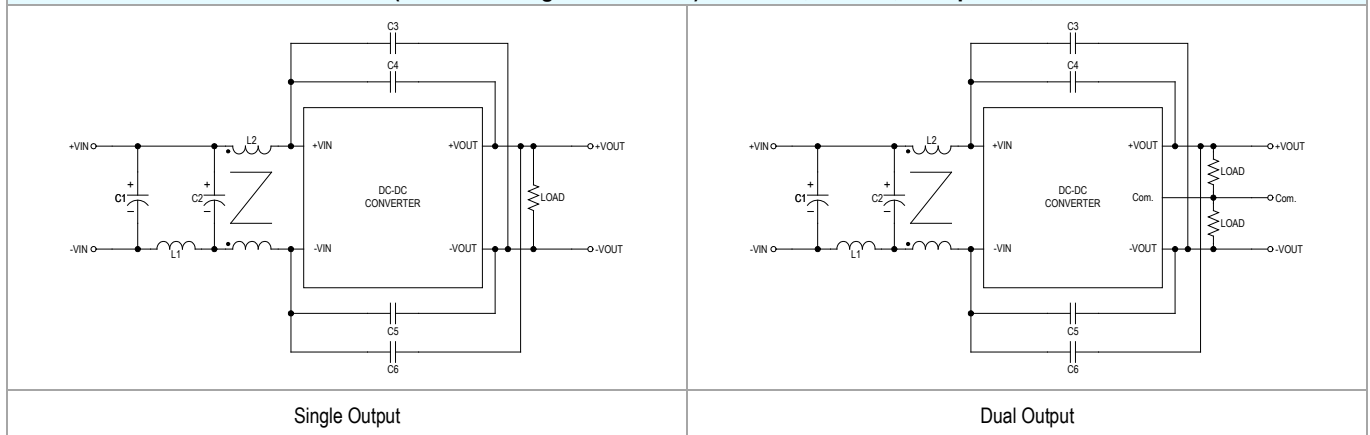
MDWI12 Series - EMC Notes

External Filter meets Total solution (for EFT & Surge & Radiation) EN 55032, class A; FCC part 15, level A



Model	C1, C2	L1	C3, C4
MDWI12-24SXX	470μF/50V CHEMI-CON KY Series	74477410	1000pF/2kV 1808 X7R
MDWI12-24DXX	470μF/50V CHEMI-CON KY Series	74477410	1000pF/2kV 1808 X7R

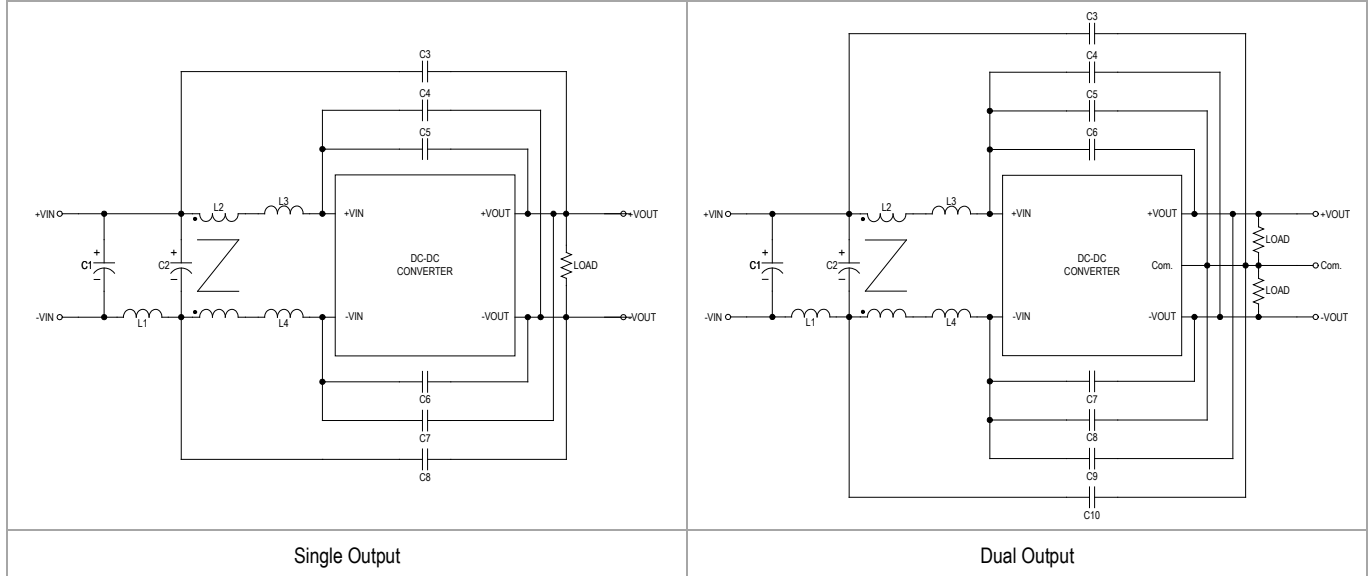
External Filter meets Total solution (for EFT & Surge & Radiation) EN 55032, class A; FCC part 15, level A



Model	C1, C2	L1	L2	C3, C5	C4, C6
MDWI12-48SXX	150μF/100V CHEMI-CON KY Series	744774156	744273222	1000pF/2kV 1808 X7R	680pF/2kV 1808 X7R
MDWI12-48DXX	150μF/100V CHEMI-CON KY Series	744774156	744273222	1000pF/2kV 1808 X7R	680pF/2kV 1808 X7R

MDWI12 Series - EMC Notes

External Filter meets Total Solution (for EFT & Surge & EMI) EN 55032, class B; FCC part 15, level B



Model	C1, C2	L1	L2	L3, L4	C3	C4	C5	C6	C7	C8	C9	C10
MDWI12-24SXX	470µF/ 50V CHEMI- CON KY Series	74477410	---	74279252	100pF/ 2kV 1808 NPO	220pF/ 2kV 1808 X7R	680pF/ 2kV 1808 X7R	680pF/ 2kV 1808 X7R	220pF/ 2kV 1808 X7R	100pF/ 2kV 1808 NPO	---	---
MDWI12-24DXX	470µF/ 50V CHEMI- CON KY Series	74477410	---	---	---	220pF/ 2kV 1808 X7R	470pF/ 2kV 1808 X7R	470pF/ 2kV 1808 X7R	470pF/ 2kV 1808 X7R	470pF/ 2kV 1808 X7R	220pF/ 2kV 1808 X7R	---
MDWI12-48SXX	150µF/ 100V CHEMI- CON KY Series	744774156	744273222	74279218	100pF/ 2kV 1808 NPO	220pF/ 2kV 1808 X7R	470pF/ 2kV 1808 X7R	100pF/ 2kV 1808 X7R	220pF/ 2kV 1808 X7R	100pF/ 2kV 1808 NPO	---	---
MDWI12-48DXX	150µF/ 100V CHEMI- CON KY Series	744774156	744273222	74279218	100pF/ 2kV 1808 NPO	220pF/ 2kV 1808 X7R	100pF/ 2kV 1808 NPO	470pF/ 2kV 1808 NPO	470pF/ 2kV 1808 NPO	100pF/ 2kV 1808 NPO	220pF/ 2kV 1808 X7R	100pF/ 2kV 1808 NPO