

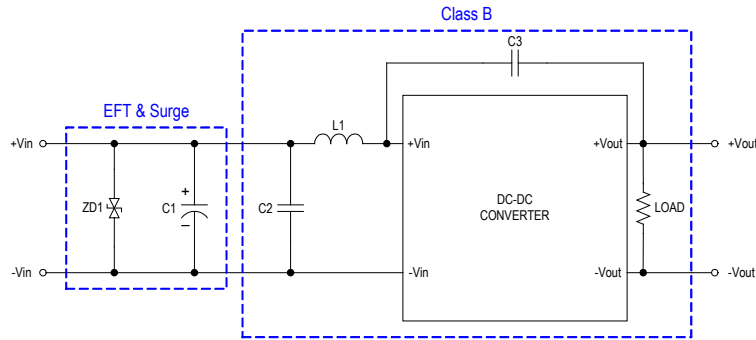


MINMAX[®]

MFSU01 Series - EMC Notes

MFSU01 Series - EMC Notes

External Filter meets EN 55032, class B



Model	ZD1	C1	C2	L1	C3
MFSU01-05SXX	1.5KE7.5CA (TVS Diode)	1500 μ F/10V CHEMI-CON KZH Series	22 μ F/35V 1206 X5R	3.3 μ H/0.58A/1210 WE-LQ SMD Inductor 744032003	330pF/2kV 1206 X7R
MFSU01-12SXX	1.5KE18CA (TVS Diode)	560 μ F/35V CHEMI-CON KZH Series	22 μ F/35V 1206 X5R	3.3 μ H/0.58A/1210 WE-LQ SMD Inductor 744032003	330pF/2kV 1206 X7R
MFSU01-24SXX	1.5KE33CA (TVS Diode)	560 μ F/35V CHEMI-CON KZH Series	22 μ F/35V 1206 X5R	68 μ H/0.13A/1210 WE-LQ SMD Inductor 744032680	330pF/2kV 1206 X7R

Recommended PCB Layout with Input Filter

