

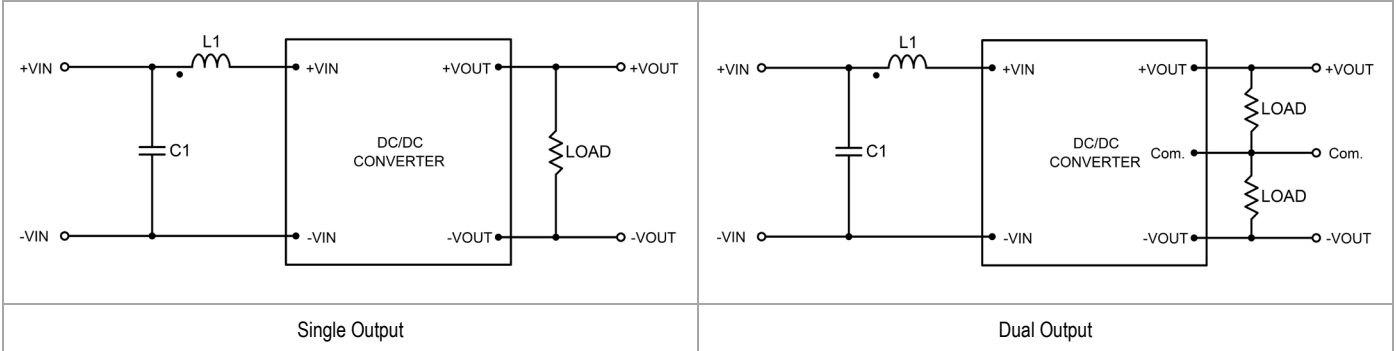


MINMAX[®]

MFW02 Series - EMC Notes

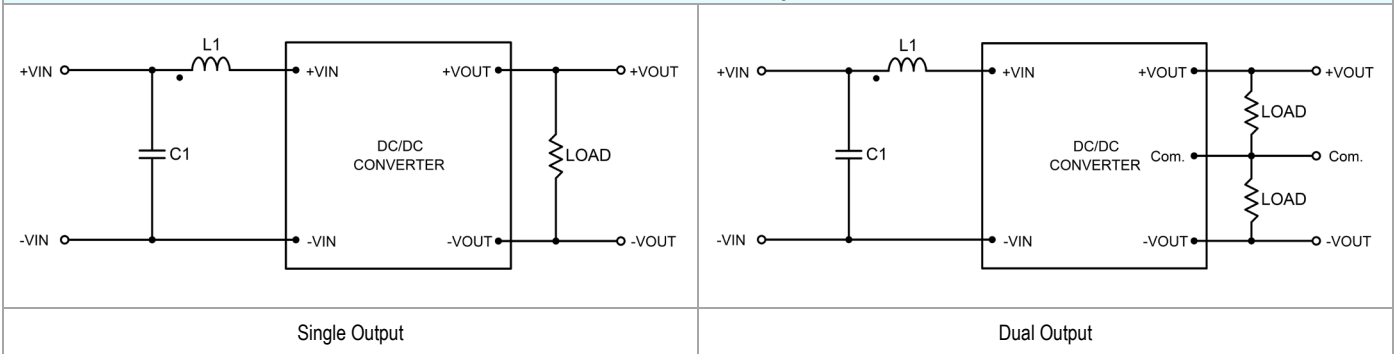
MFW02 Series - EMC Notes

External Filter meets Conducted & Radiated EMI EN 55032 , class A; FCC part 15 ,level A



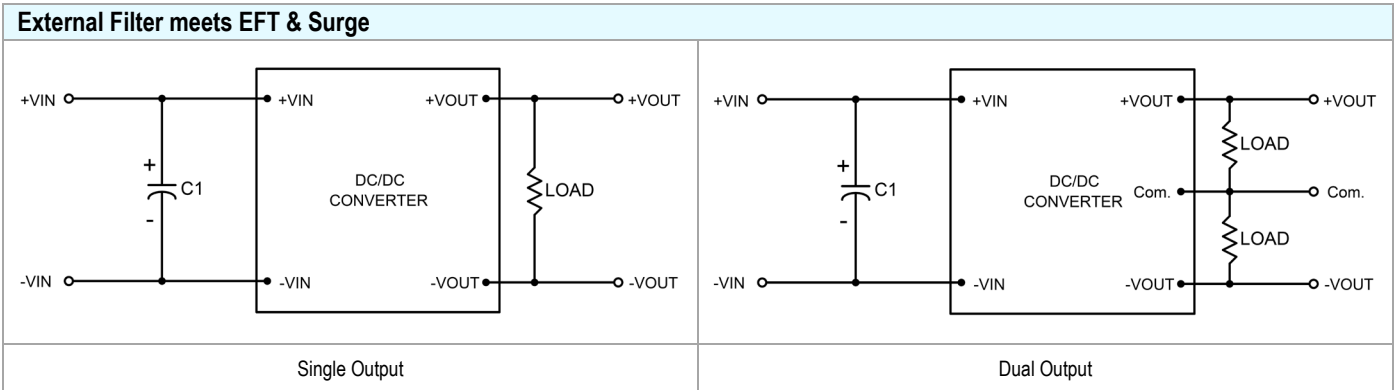
Class	Model	C1	L1
Class A	MFW02-05XXX	10uF/16V 1206 X7R	3.3uH SCD0504T-3R3
	MFW02-12XXX	4.7uF/25V 1206 X7R	18uH SCD0504T-180
	MFW02-24XXX	4.7uF/50V 1206 X7R	39uH SCD0504T-390
	MFW02-48XXX	2.2uF/100V 1206 X7R	68uH SCD0504T-680

External Filter meets Conducted & Radiated EMI EN 55032 , class B; FCC part 15 ,level B



Class	Model	C1	L1
Class B	MFW02-05XXX	10uF/16V 1206 X7R	6.8uH SCD0504T-6R8
	MFW02-12XXX	4.7uF/25V 1206 X7R	18uH SCD0504T-180
	MFW02-24XXX	4.7uF/50V 1206 X7R	39uH SCD0504T-390
	MFW02-48XXX	3.3uF/100V 1206 X7S	68uH SCD0504T-680

MFW02 Series - EMC Notes



Model	EFT	Surge
		C1
MFW02 Series	220 μ F/100V CHEMI-CON KY Series	470 μ F/100V CHEMI-CON KY Series