

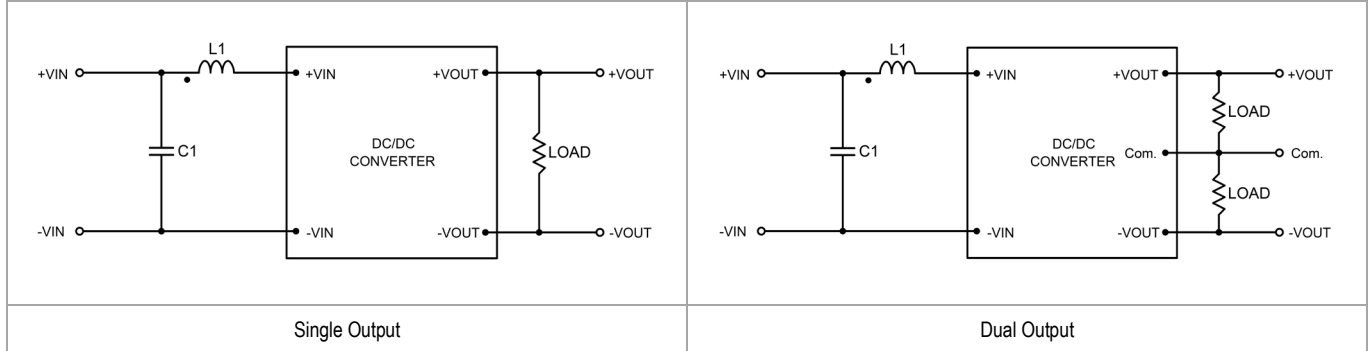


MINMAX[®]

MFW03 Series - EMC Notes

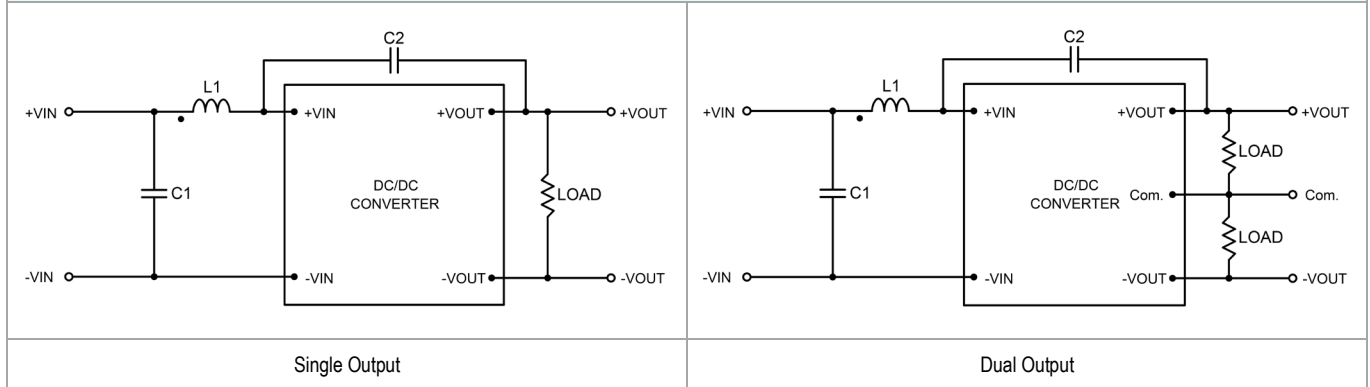
MFW03 Series - EMC Notes

External Filter meets Conducted & Radiated EMI EN 55032 , class A; FCC part 15 ,level A



Class	Model	C1	L1
Class A	MFW03-05XXX	22uF/16V 1206 X5R	3.3uH SCD0504T-3R3
	MFW03-12XXX	22uF/25V 1206 X5R	18uH SCD0504T-180
	MFW03-24XXX	10uF/50V 1206 X5R	39uH SCD0504T-390
	MFW03-48XXX	3.3uF/100V 1206 X7S	68uH SCD0504T-680

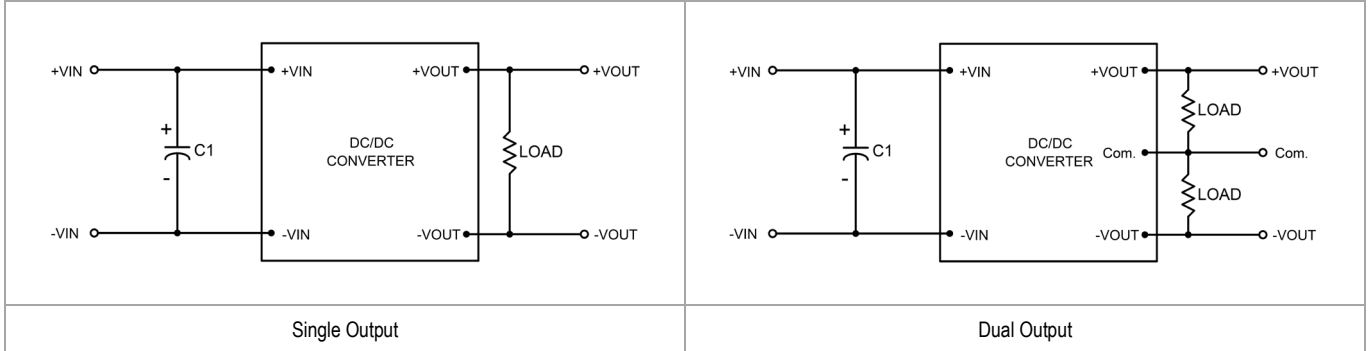
External Filter meets Conducted & Radiated EMI EN 55032 , class B; FCC part 15 ,level B



Class	Model	C1	L1	C2
Class B	MFW03-05XXX	22uF/16V 1206 X5R	10uH SCD0504T-100	---
	MFW03-12XXX	22uF/25V 1206 X5R	18uH SCD0504T-180	220pF/2KV 1808 X7R
	MFW03-24XXX	10uF/50V 1206 X5R	68uH SCD0504T-680	220pF/2KV 1808 X7R
	MFW03-48XXX	3.3uF/100V 1206 X7S	68uH SCD0504T-680	220pF/2KV 1808 X7R

MFW03 Series - EMC Notes

External Filter meets EFT & Surge



Model	EFT	Surge
	C1	C1
MFW03 Series	220 μ F/100V CHEMI-CON KY Series	470 μ F/100V CHEMI-CON KY Series