

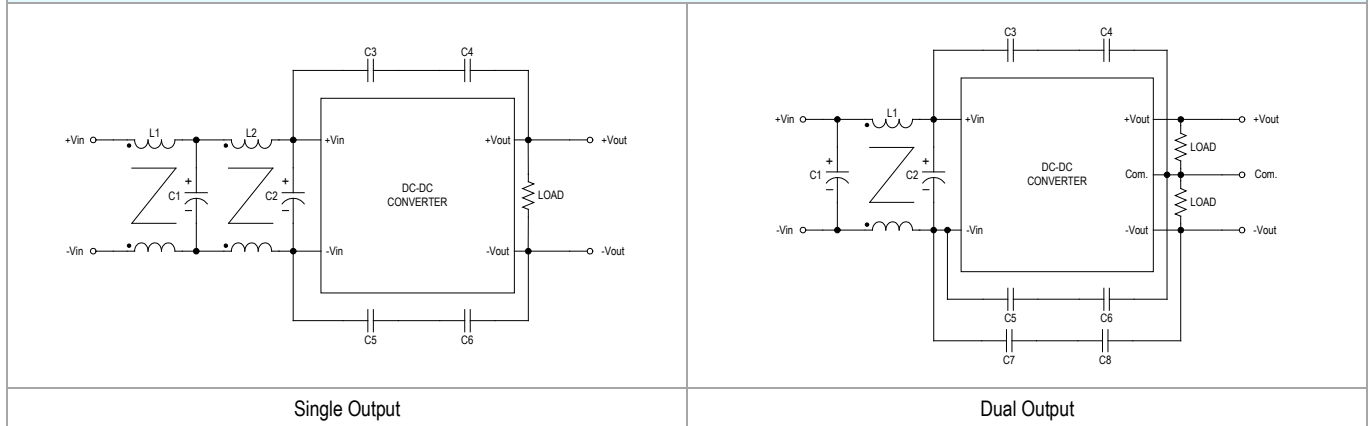


MINMAX[®]

MIHW2000 Series - EMC Notes

MIHW2000 Series - EMC Notes

External Filter Solution meet EMI EN55011/22 Class B



Model	L1	C1	L2	C2	C3, C4	C5, C6	C7, C8
MIHW2022 MIHW2023 MIHW2026 MIHW2027	---	---	5mH/1A 744821150	27μF/200V CHEMI-CON KY Series	1000pF/Y1 Cap.	---	---
MIHW2032 MIHW2033	---	27μF/200V CHEMI-CON KY Series	5mH/1A 744821150	27μF/200V CHEMI-CON KY Series	1000pF/Y1 Cap.	1000pF/Y1 Cap.	---
MIHW2036 MIHW2037 MIHW2046 MIHW2047	---	27μF/200V CHEMI-CON KY Series	5mH/1A 744821150	27μF/200V CHEMI-CON KY Series	1000pF/Y1 Cap.	1000pF/Y1 Cap.	470pF/Y1 Cap.
MIHW2042 MIHW2043	20mH/2A 744824220	27μF/200V CHEMI-CON KY Series	5mH/1A 744821150	27μF/200V CHEMI-CON KY Series	1000pF/Y1 Cap.	1000pF/Y1 Cap.	---

Recommended PCB Layout with Input Filter

