

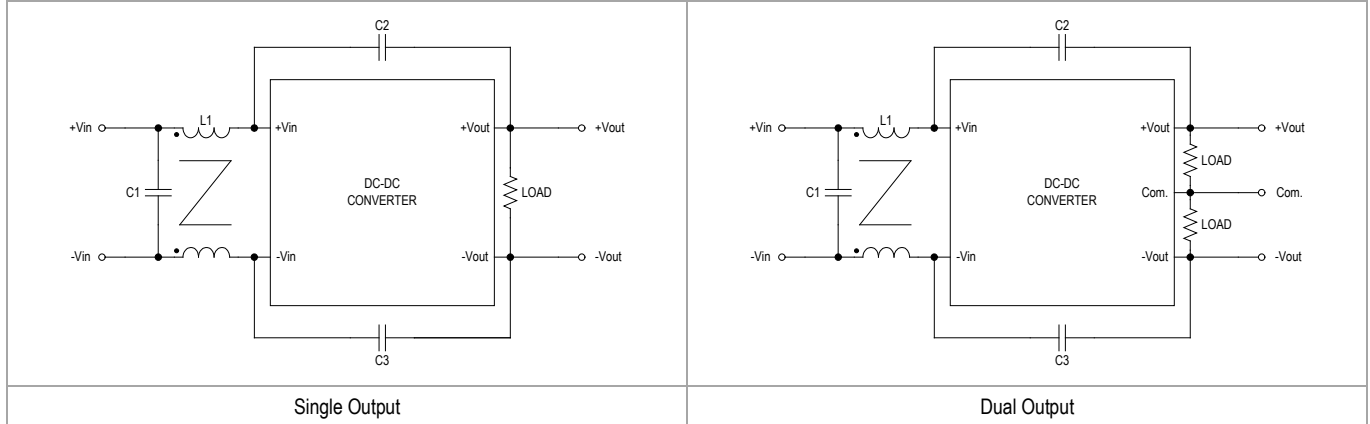


MINMAX[®]

MIW06 Series - EMC Notes

MIW06 Series - EMC Notes

External Filter meets Radiated EMI EN 55022, class A



Model	C1	L1	C2, C3
MIW06-12XXX	47 μ F/25V 1206 X5R	0.175mH/10A 74482210002	1500pF/2kV 1206 X7R
MIW06-24XXX	10 μ F/50V 1206 X5R	0.175mH/10A 74482210002	1500pF/2kV 1206 X7R
MIW06-48XXX	2.2 μ F/100V 1206 X7R	0.175mH/10A 74482210002	1500pF/2kV 1206 X7R

Recommended PCB Layout with Input Filter

