

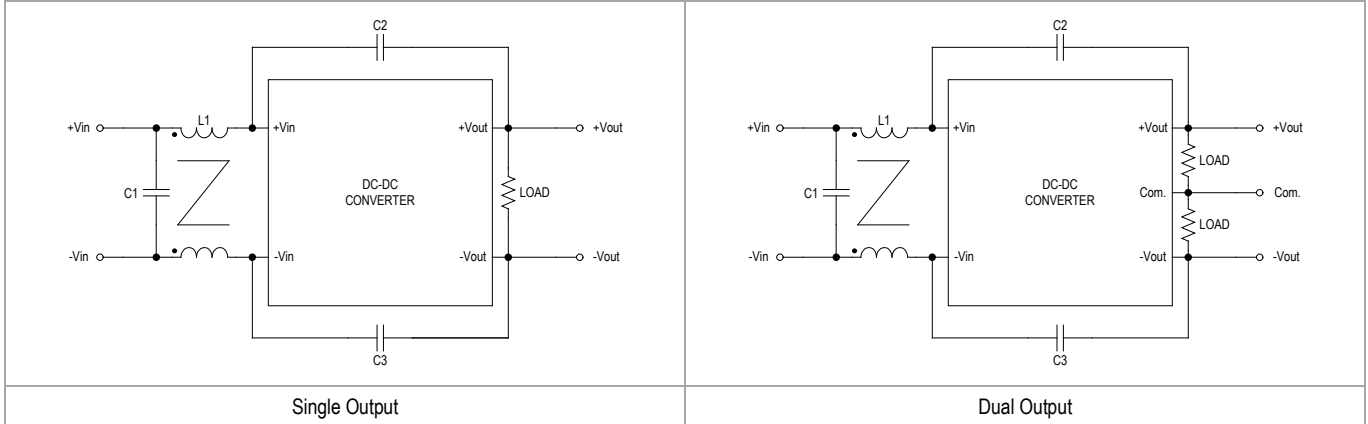


MINMAX[®]

MIW10 Series - EMC Notes

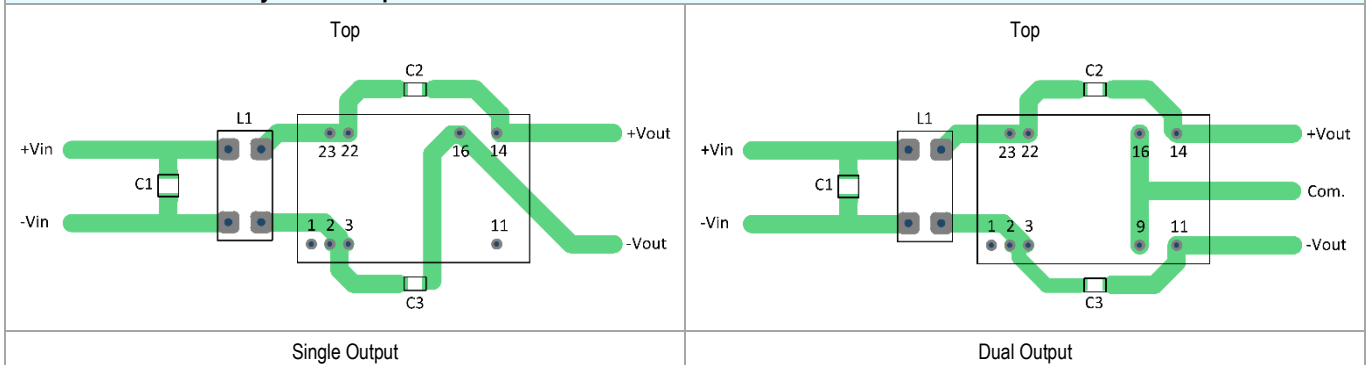
MIW10 Series - EMC Notes

External Filter meets Radiated EMI EN 55032, class A



Model	C1	L1	C2, C3
MIW10 Series	4.7 μ F/100V 1210 X7R	0.4mH/4.5A 7448014501	1500pF/2kV 1206 X7R

Recommended PCB Layout with Input Filter



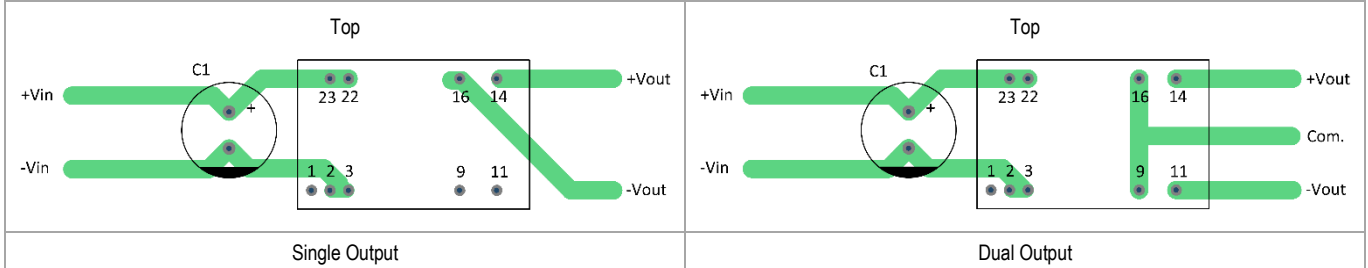
MIW10 Series - EMC Notes

External Filter meets EFT & Surge EMS EN 55035, criteria A



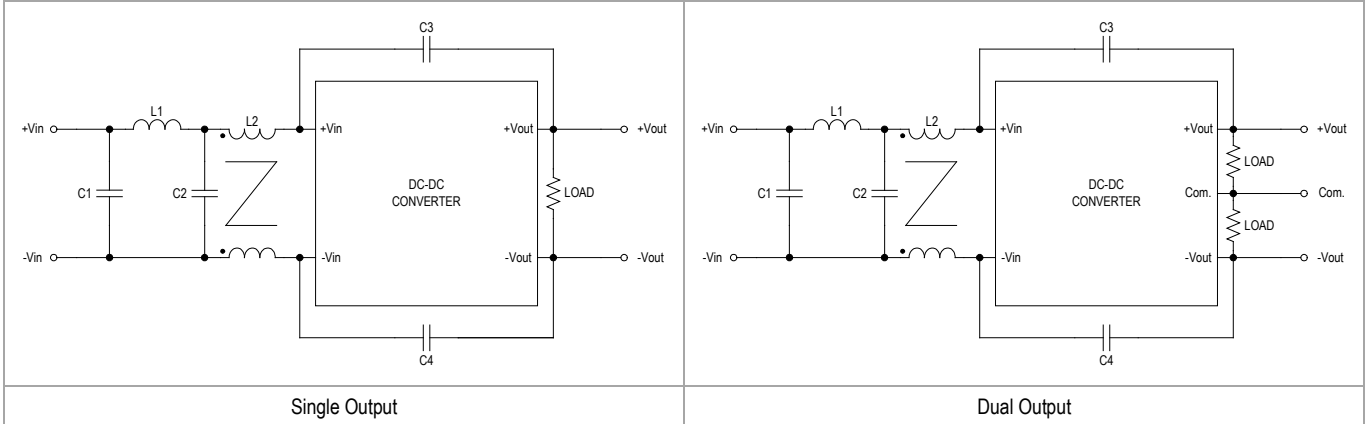
Model	C1
MIW10 Series	220µF/100V CHEMI-CON KYA Series

Recommended PCB Layout with Input Filter



MIW10 Series - EMC Notes

External Filter meets EMI EN 55032, class B



Model	C1, C2	L1	L2	C3, C4
MIW10 Series	4.7 μ F/100V 1210 X7R	4.7 μ H/1.82A 744773047	0.4mH/4.5A 7448014501	1500pF/2kV 1206 X7R

Recommended PCB Layout with Input Filter

