

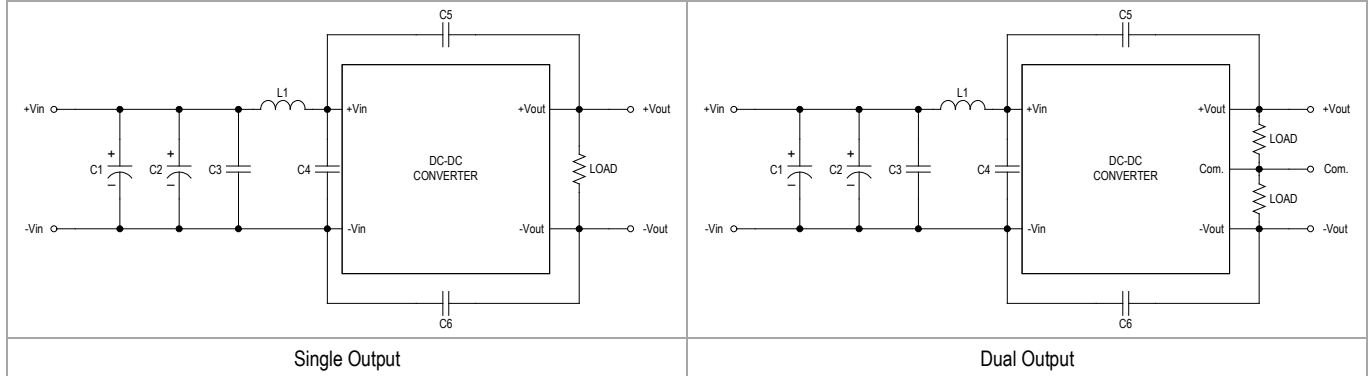


MINMAX[®]

MJWI40 Series - EMC Notes

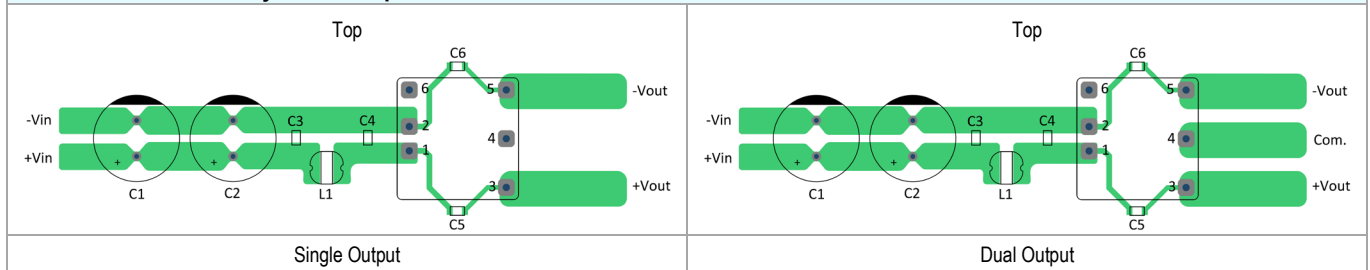
MJWI40 Series - EMC Notes

External Filter meets EMI Total solution (for Surge & EFT Filter) EN 55032, class A



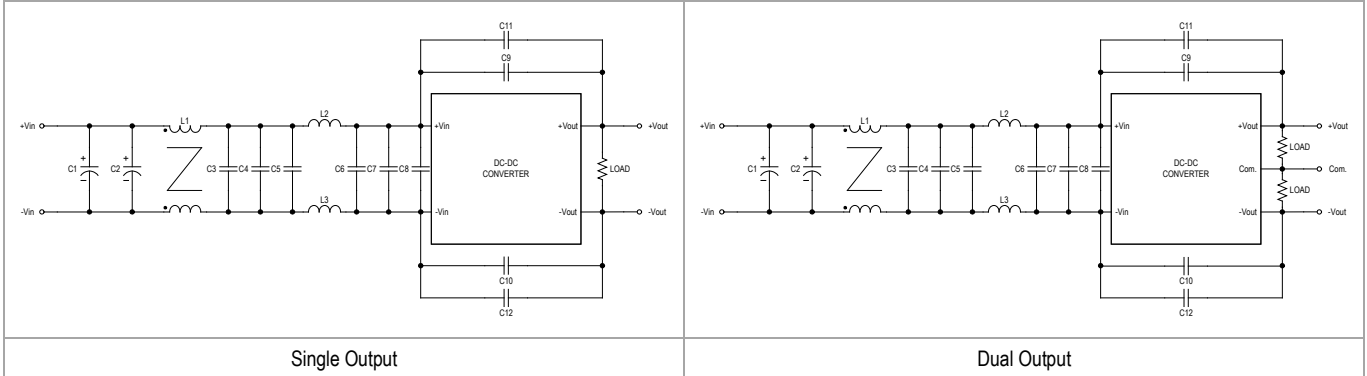
Model	C1, C2	C3, C4	L1	C5, C6
MJWI40-24S05, MJWI40-24S12 MJWI40-24S15, MJWI40-24S24 MJWI40-24DXX	1200 μ F/50V CHEMI-CON KY Series	10 μ F/50V 1206	2.2 μ H/9.8A 74438367022	1000pF/2kV 1206
MJWI40-24S48, MJWI40-24S54	1200 μ F/50V CHEMI-CON KY Series	10 μ F/50V 1206	2.2 μ H/9.8A 74438367022	2200pF/2kV 1206
MJWI40-48S12, MJWI40-48S15 MJWI40-48S24	470 μ F/100V CHEMI-CON KY Series	3.3 μ F/100V 1206	2.2 μ H/9.8A 74438367022	1000pF/2kV 1206
MJWI40-48S05, MJWI40-48S48 MJWI40-48S54, MJWI40-48DXX	470 μ F/100V CHEMI-CON KY Series	3.3 μ F/100V 1206	2.2 μ H/9.8A 74438367022	2200pF/2kV 1206

Recommended PCB Layout with Input Filter



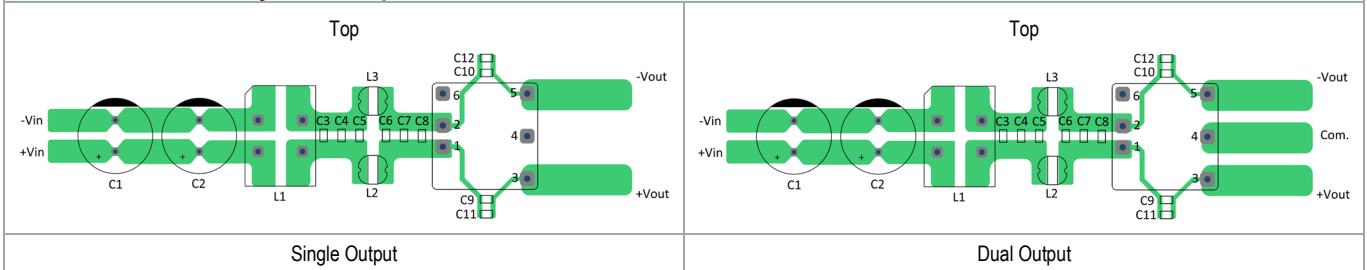
MJWI40 Series - EMC Notes

External Filter meets EMI Total solution (for Surge & EFT Filter) EN 55032, class B



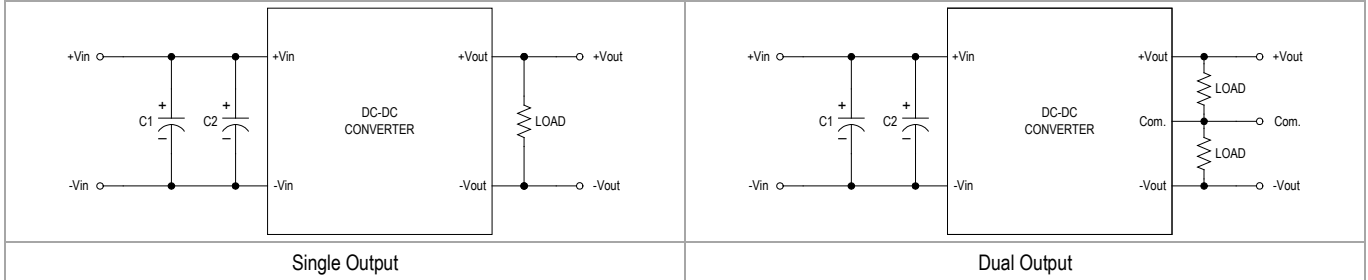
Model	C1, C2	L1	C3, C4, C5 C6, C7, C8	L2, L3	C9, C10	C11, C12
MJWI40-24S05, MJWI40-24S12 MJWI40-24S15	1200 μ F/50V CHEMI-CON KY Series	2mH 7448031002	10 μ F/50V 1206	2.2 μ H/9.8A 74438367022	2200pF/2kV 1206	---
MJWI40-24S24, MJWI40-24S48 MJWI40-24S54, MJWI40-24D12 MJWI40-24D15	1200 μ F/50V CHEMI-CON KY Series	2mH 7448031002	10 μ F/50V 1206	2.2 μ H/9.8A 74438367022	2200pF/2kV 1206	2200pF/2kV 1206
MJWI40-48S05, MJWI40-48S12 MJWI40-48S15	470 μ F/100V CHEMI-CON KY Series	2mH 7448031002	4.7 μ F/100V 1210	4.7 μ H/8.2A 7443845030047	2200pF/2kV 1206	---
MJWI40-48S24, MJWI40-48S48 MJWI40-48S54, MJWI40-48D12 MJWI40-48D15	470 μ F/100V CHEMI-CON KY Series	2mH 7448031002	4.7 μ F/100V 1210	4.7 μ H/8.2A 7443845030047	2200pF/2kV 1206	2200pF/2kV 1206

Recommended PCB Layout with Input Filter



MJWI40 Series - EMC Notes

External Filter meets EMS (for Surge & EFT) EN 55035, criteria A



Model	C1, C2
MJWI40-24XXX	1200 μ F/50V CHEMI-CON KY Series
MJWI40-48XXX	470 μ F/100V CHEMI-CON KY Series

Recommended PCB Layout with Input Filter

