

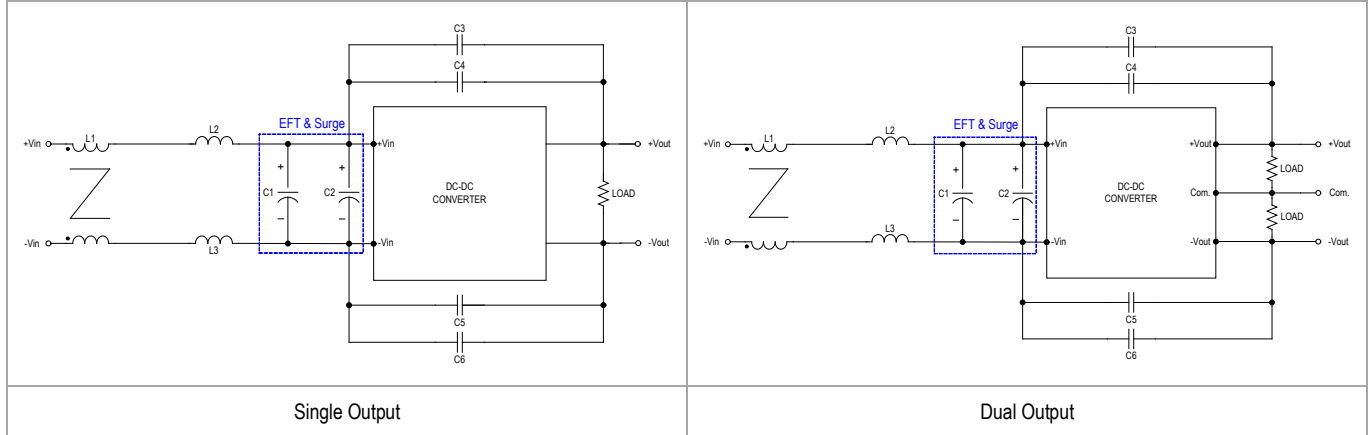


MINMAX[®]

MKW40 Series - EMC Notes

MKW40 Series - EMC Notes

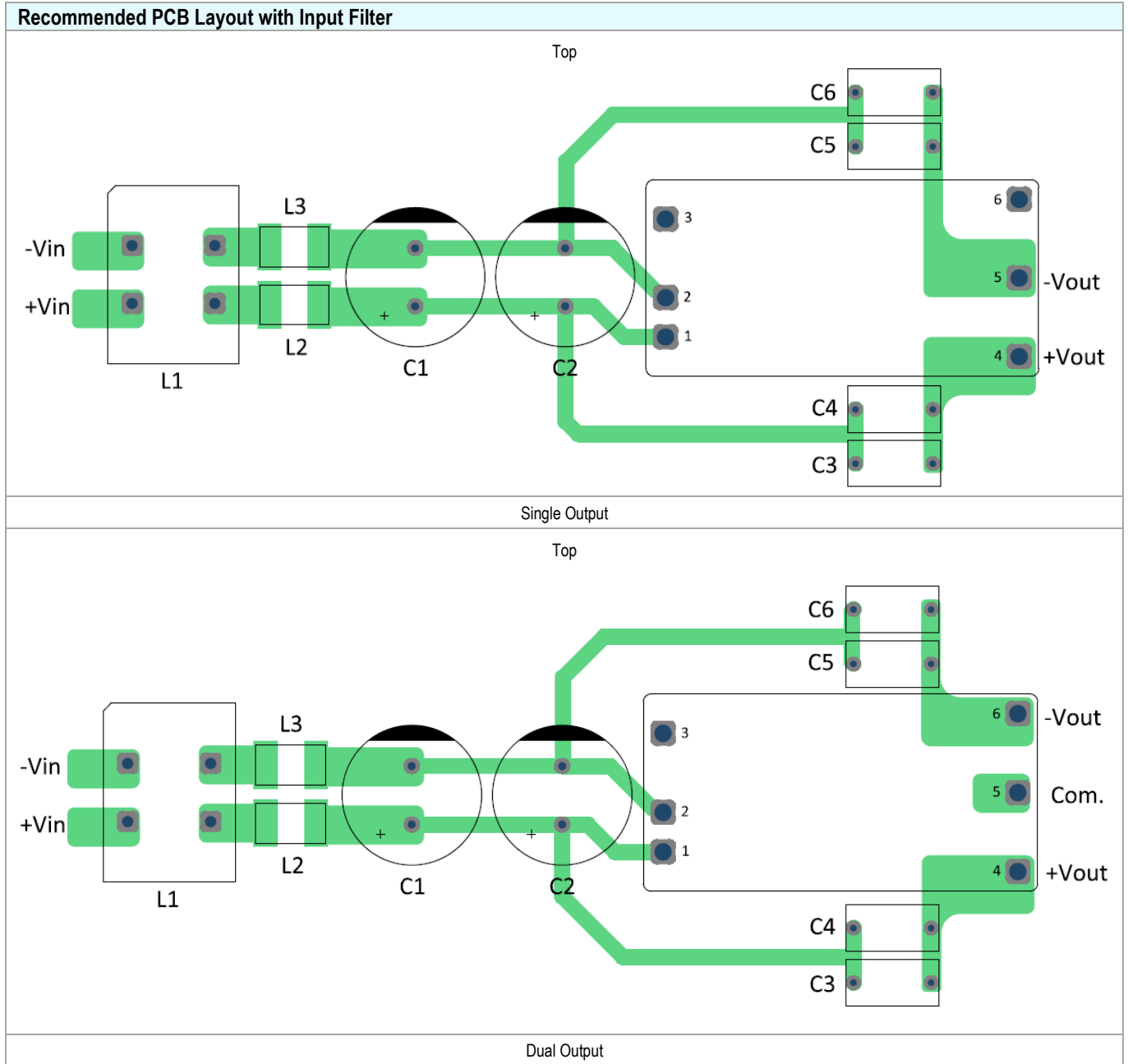
External Filter meets EMI Total solution (for EFT & Surge) EN 55032, class A



Model	L1	C1, C2	L2 L3	C3, C6	C4, C5
MKW40-12XXX	1mH/15A/3.3mΩ 7448031501	1800µF/25V CHEMI-CON KY Series	100mH/8.5A/580Ω 7427512	1000pF/250VAC Y1 Cap.	2200pF/400VAC Y1 Cap.
MKW40-24XXX	1mH/15A/3.3mΩ 7448031501	1200µF/50V CHEMI-CON KY Series	100mH/8.5A/580Ω 7427512	1000pF/250VAC Y1 Cap.	2200pF/400VAC Y1 Cap.
MKW40-48XXX	1mH/15A/3.3mΩ 7448031501	560µF/100V CHEMI-CON KY Series	100mH/8.5A/580Ω 7427512	1000pF/250VAC Y1 Cap.	2200pF/400VAC Y1 Cap.

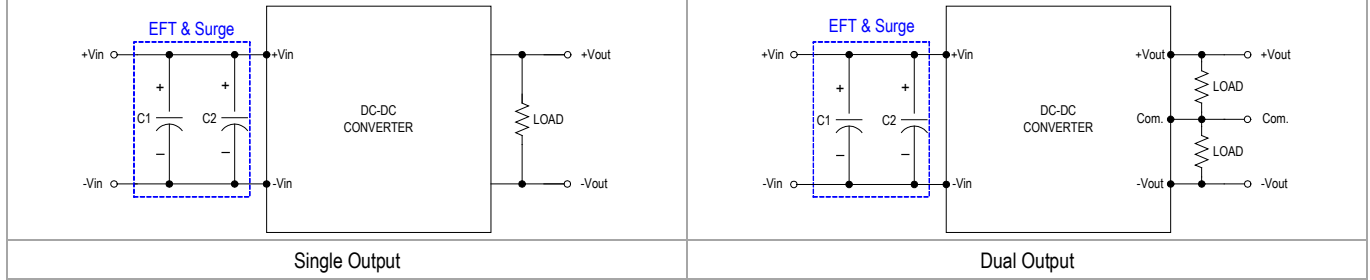
MKW40 Series - EMC Notes

Recommended PCB Layout with Input Filter



MKW40 Series - EMC Notes

External Filter meets EMS (for EFT & Surge) EN 55035, class A



Model	C1, C2
MKW40-12XXX	1800 μ F/25V CHEMI-CON KY Series
MKW40-24XXX	1200 μ F/50V CHEMI-CON KY Series
MKW40-48XXX	560 μ F/100V CHEMI-CON KY Series