

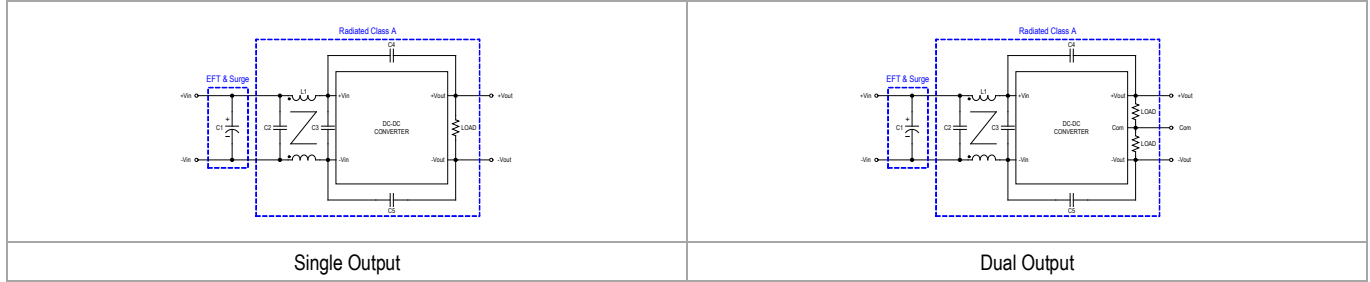


MINMAX[®]

MKZI10 Series - EMC Notes

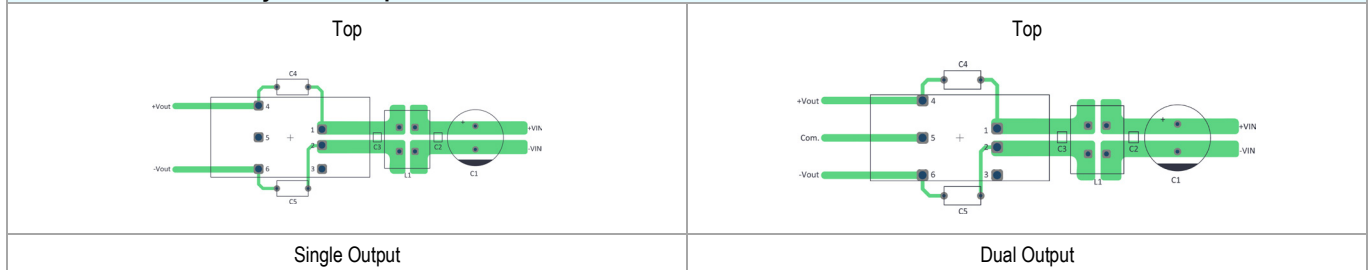
MKZI10 Series - EMC Notes

External Filter meets Radiated EMI EN 55032/11 & EN 55024, class A



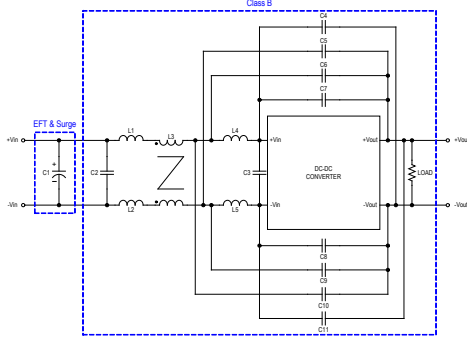
Model	EFT & Surge	Radiated Class A				
	C1	C2	L1	C3	C4	C5
MKZI10-24XXX	CHEMI-CON KY Series 390µF/63V	---	1mH/2A/45mΩ 744821201	---	2200pF/250V/Y1 Cap. YU0AH220M130	---
MKZI10-48XXX	CHEMI-CON KY Series 330µF/100V	4.7µF/100V 1210 X7S	0.042mH/6.5A/8.1mΩ 744842742	4.7µF/100V 1210 X7S	2200pF/250V/Y1 Cap. YU0AH220M130	2200pF/250Vac/Y5U Y1 Cap. YU0AH220M130
MKZI10-110XXX	CHEMI-CON KXG Series 220µF/250V	---	5mH/1A/220mΩ 744821150	---	2200pF/250V/Y1 Cap. YU0AH220M130	---

Recommended PCB Layout with Input Filter

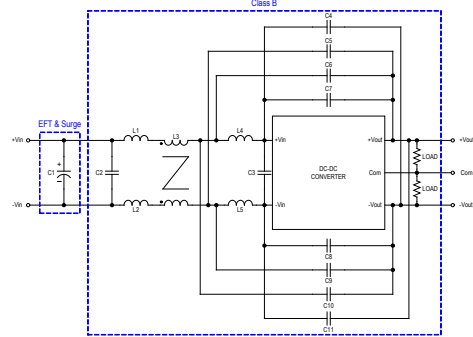


MKZI10 Series - EMC Notes

External Filter meets EMI EN 55032/11 & EN 55024, class B



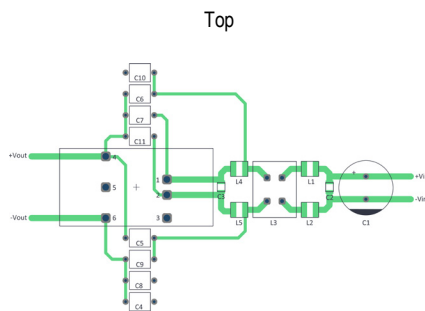
Single Output



Dual Output

Model	EFT & Surge	Class B							
	C1	C2, C3	L1, L2	L3	L4, L5	C4, C11	C5, C10	C6, C9	C7, C8
MKZI10-24XXX	390µF/63V CHEMI-CON KY Series	---	785Ω/3A 742792515	0.7mH/5A/ 15mΩ 7448225007	785Ω/3A 742792515	100pF/ 400Vac/ Y5P Y1 Cap. JD101KY5P	---	100pF/ 400Vac/ Y5P Y1 Cap. JD101KY5P	100pF/ 400Vac/ Y5P Y1 Cap. JD101KY5P
MKZI10-48XXX	330µF/100V CHEMI-CON KY Series	4.7µF/100V 1210 X7S	1000Ω/1A 742792141	2.2mH/2A/ 70mΩ 744822222	1000Ω/1A 742792141	4700pF/ 400Vac/ Y5U Y1 Cap. JD472MY5U	---	4700pF/ 400Vac/ Y5U Y1 Cap. JD472MY5U	2200pF/ 400Vac/ Y5U Y1 Cap. JD222MY5U
MKZI10-110XXX	220µF/250V CHEMI-CON KXG Series	---	1000Ω/1A 742792141	3.3mH/1.5A/ 120mΩ 744822233	1000Ω/1A 742792141	2200pF/ 400Vac/ Y5U Y1 Cap. JD222MY5U	1500pF/ 400Vac/ Y5U Y1 Cap. JD152MY5U	---	2200pF/ 400Vac/ Y5U Y1 Cap. JD222MY5U

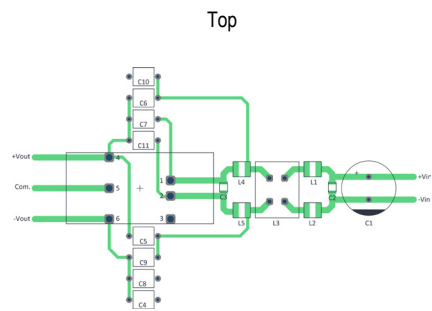
Recommended PCB Layout with Input Filter



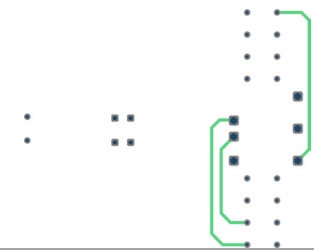
Bottom



Single Output



Bottom



Dual Output

Approved by : _____

Checked by : _____

Designed by : _____