

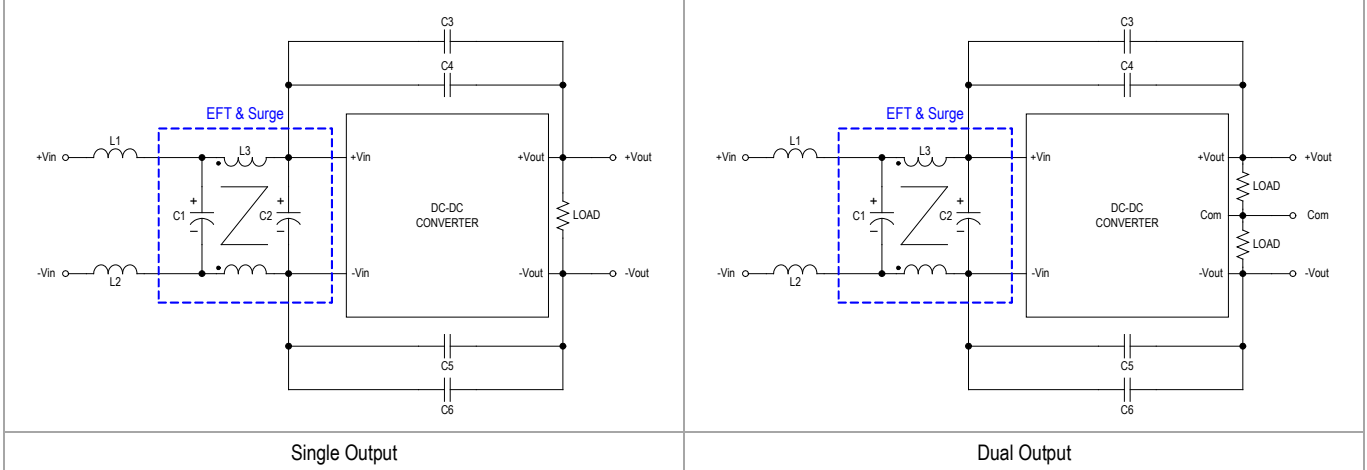


**MINMAX<sup>®</sup>**

MKZI40 Series - EMC Notes

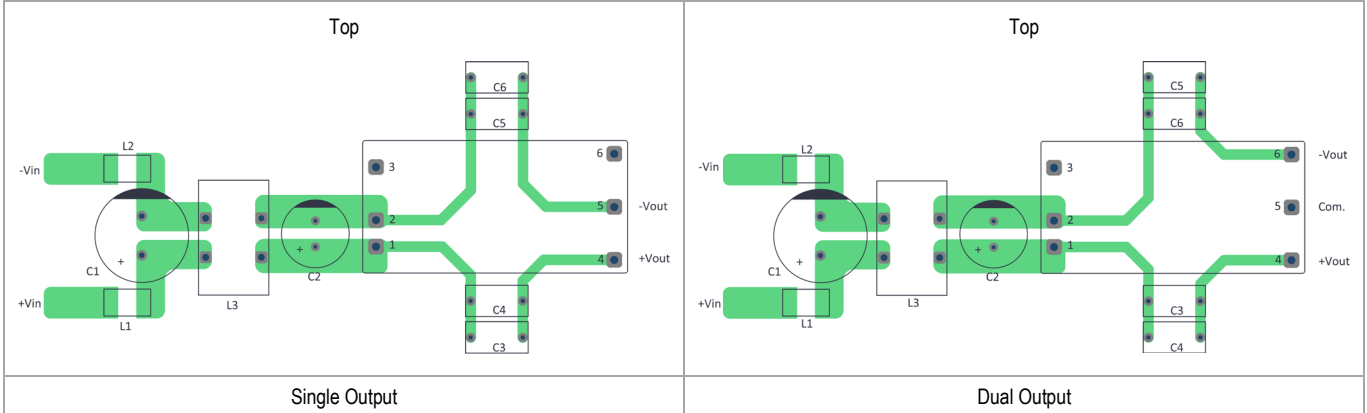
# MKZI40 Series - EMC Notes

## External Filter meets EMI EN 55032, class A



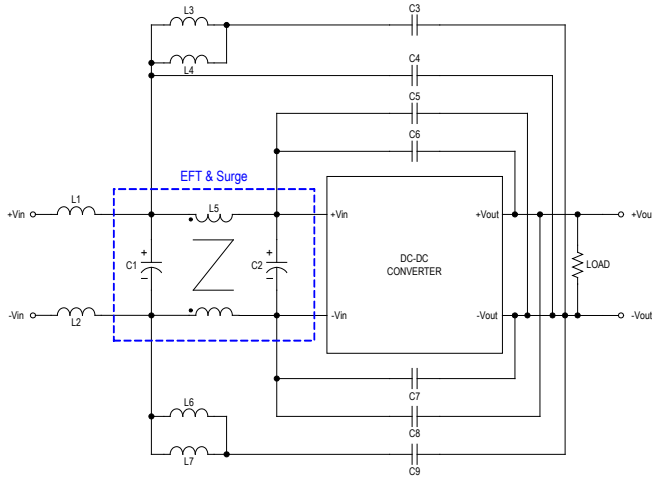
Model	L1, L2	C1	L3	C2	C3, C4, C5, C6
MKZI40 Series	7427512	390 $\mu$ F/200V CHEMI-CON KXJ Series	9mH/5A 7448030509	47 $\mu$ F/400V CHEMI-CON KMQ Series	4700pF/ Y1 Cap.

## Recommended PCB Layout with Input Filter

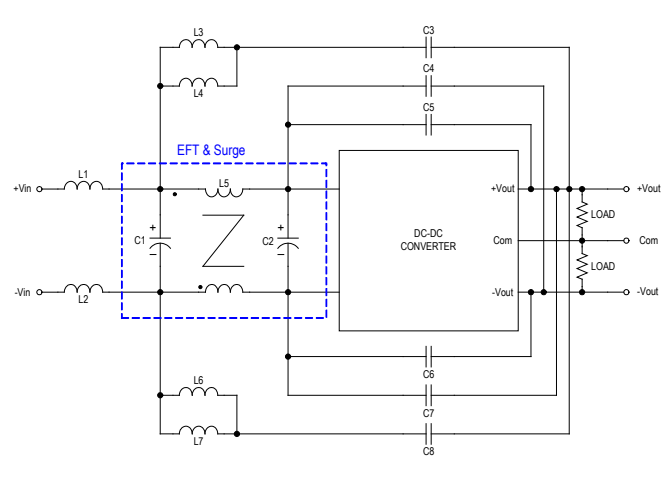


# MKZI40 Series - EMC Notes

## External Filter meets EMI EN 55032, class B



Single Output



Dual Output

Model	L1	L2	L3, L4, L6, L7	L5	C1, C2	C3, C4, C9	C5, C8	C6, C7
MKZI40-110S05 MKZI40-110S12 MKZI40-110S15	BCMS 453215A151	BCMS 453215K8814 A	742792515	9mH/5A 7448030509	180µF/200V RUBYCON BXW Series	100pF/400V Y1 Cap.	---	220pF/400V Y1 Cap.

Model	L1, L2	L3, L4, L6, L7	L5	C1, C2	C3, C4, C9	C5, C7, C8	C6
MKZI40-110S24	---	742792515	2.2mH/4A 744823422	180µF/200V RUBYCON BXW Series	100pF/400V Y1 Cap.	---	100pF/400V Y1 Cap.

Model	L1, L2	L3, L4, L6, L7	L5	C1, C2	C3, C4, C9	C8	C5	C6	C7
MKZI40-110S54	---	742792515	2.2mH/4A 744823422	180µF/200V RUBYCON BXW Series	100pF/400V Y1 Cap.	470pF/400V Y1 Cap.	220pF/400V Y1 Cap.	330pF/400V Y1 Cap.	---

Model	L1, L2	L3, L4, L6, L7	L5	C1, C2	C3, C8	C4, C7	C5	C6
MKZI40-110D12 MKZI40-110D15	BCMS 453215K8814 A	742792515	9mH/5A 7448030509	180µF/200V RUBYCON BXW Series	100pF/400V Y1 Cap.	220pF/400V Y1 Cap.	1500pF/400V Y1 Cap.	330pF/400V Y1 Cap.

# MKZI40 Series - EMC Notes

