

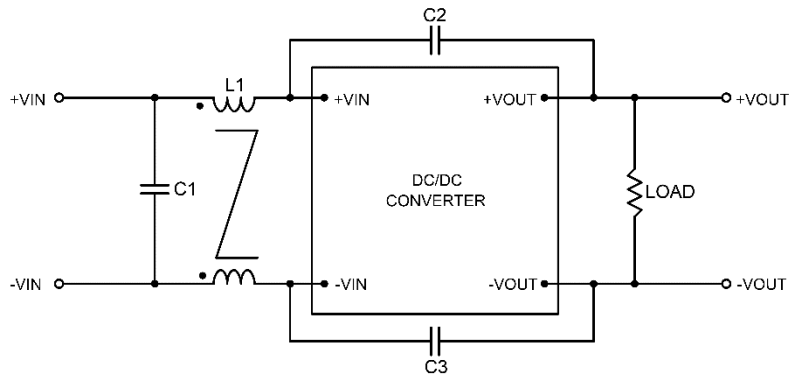


MINMAX[®]

MQWI40C Series - EMC Notes

MQWI40C Series - EMC Notes

External Filter meets Radiated EMI EN 55032 , class A; FCC part 15 ,level A



Model	Class A			
	C1	L1	C2	C3
MQWI40-24XXC	4.7 μ F/50V	120 μ H/120uH	---	220pF
MQWI40-48XXC	3.3 μ F/100V	120 μ H/120uH	220pF	220pF