

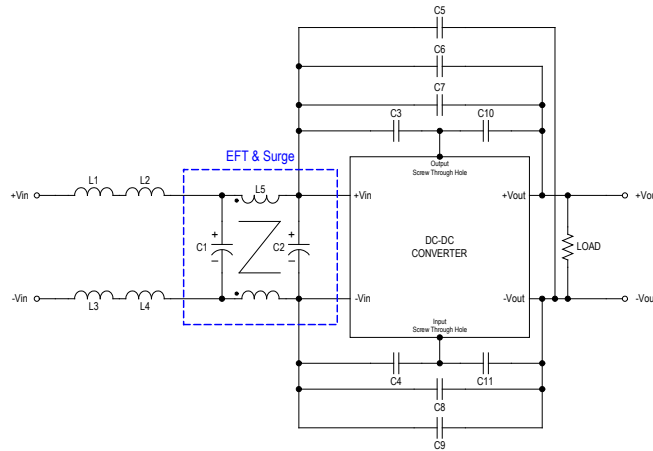


MINMAX[®]

MRZI100 Series - EMC Notes

MRZI100 Series - EMC Notes

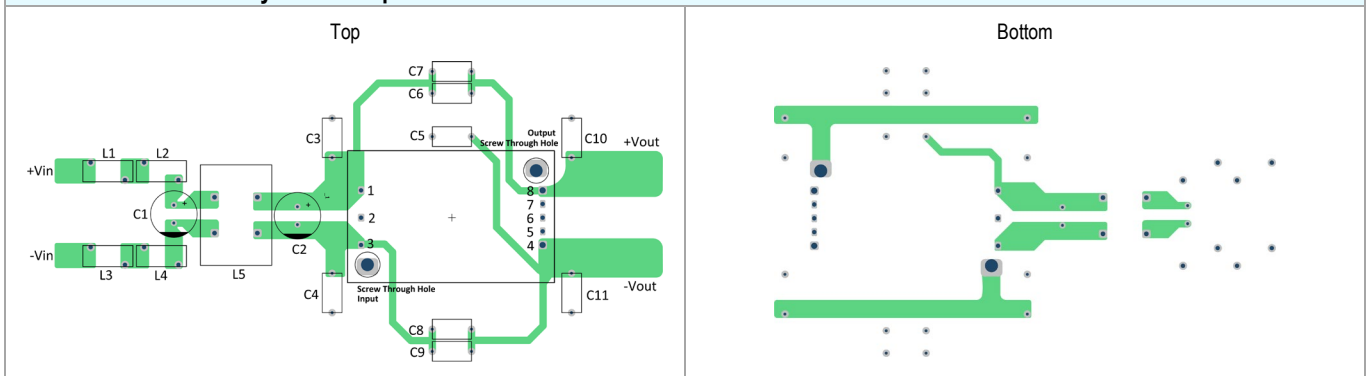
External Filter meets Total solution (for EFT & Surge & EMI) EN 55032, class A



Model	L1, L2, L3, L4	C1, C2	L5	C3, C4, C10, C11	C5	C6, C9	C7, C8
MRZI100-110S05 MRZI100-110S12 MRZI100-110S15	2μH/5A 7847111020	150μF/200V CHEMI-CON KXJ Series	9mH/5A 7448030509	470pF/Y1 Cap.	2200pF/Y1 Cap.	---	4700pF/Y1 Cap.

Model	L1, L2, L3, L4	C1	L5	C2	C3, C4, C10, C11	C5	C6, C9	C7, C8
MRZI100-110S24	2μH/5A 7847111020	150μF/200V CHEMI-CON KXJ Series	3.3mH/4A 744824433	82μF/200V CHEMI-CON KXJ Series	220pF/Y1 Cap.	2200pF/Y1 Cap.	---	1000pF/Y1 Cap.

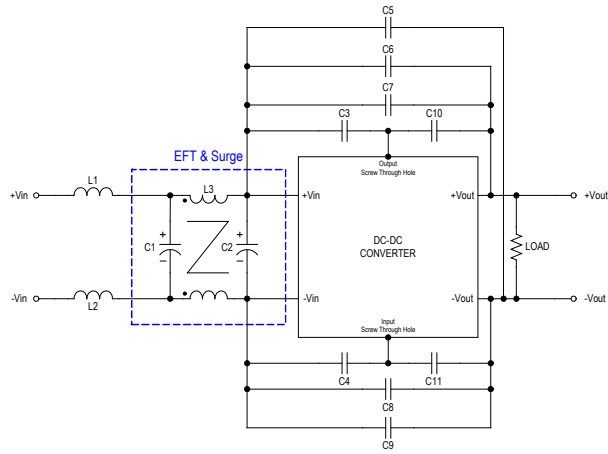
Recommended PCB Layout with Input Filter



Note : See more information about screws please refer to page 4.

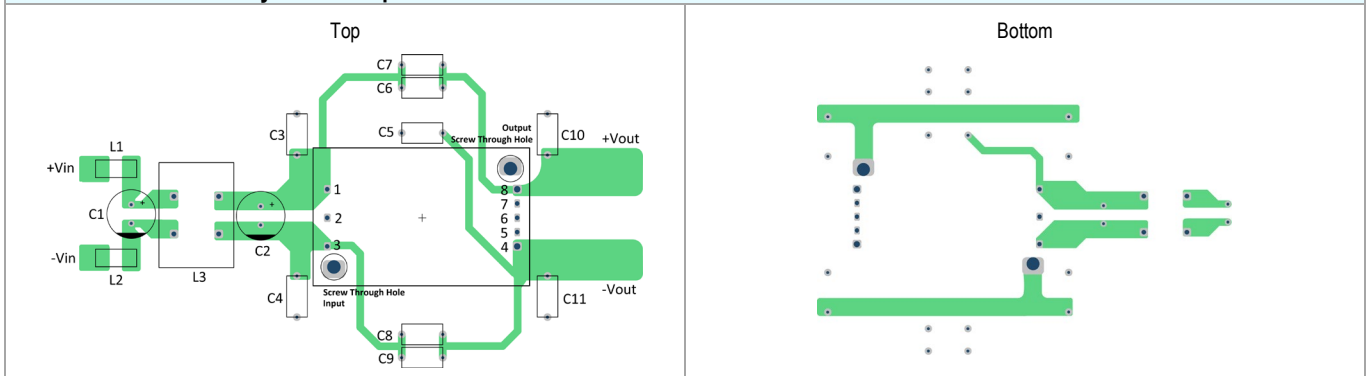
MRZI100 Series - EMC Notes

External Filter meets Total solution (for EFT & Surge & EMI) EN 55032, class A



Model	L1, L2	C1, C2	L3	C3, C4, C10, C11	C5	C6, C9	C7, C8
MRZI100-110S54	425Ω(25MHz)/5A 7427512	150μF/200V CHEMI-CON KXJ Series	9mH/5A 7448030509	470pF/Y1 Cap.	2200pF/Y1 Cap.	---	4700pF/Y1 Cap.

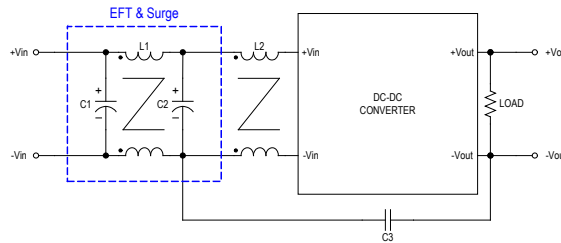
Recommended PCB Layout with Input Filter



Note : See more information about screws please refer to page 4.

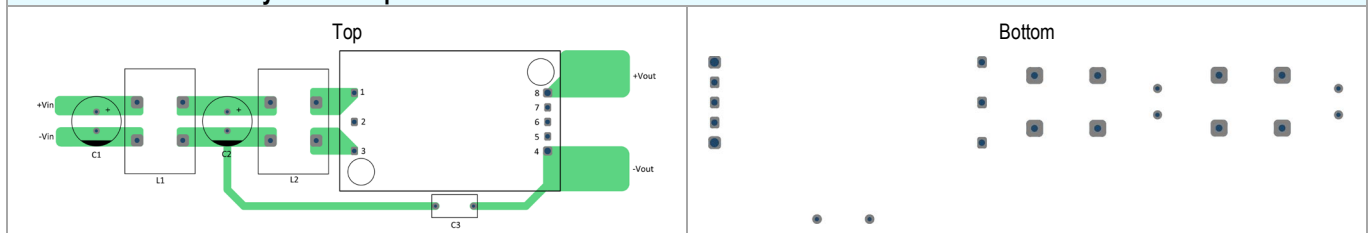
MRZI100 Series - EMC Notes

External Filter meets Total solution (for EFT & Surge & Conduction) EN 55032, class B



Model	C1	L1	C2	L2	C3
MRZI100 Series	390 μ F/200V CHEMI-CON KXJ Series	7mH/7A 7448040707	150 μ F/200V CHEMI-CON KXJ Series	2.2mH/6A 744824622	4700pF/Y1 Cap.

Recommended PCB Layout with Input Filter



MRZI100 Series - EMC Notes

EMC Solution

The aluminium base must with screws while using this EMC solution (if with heatsink, the screws are on heatsink), and applied torque per screw 1.8kgf.cm min.

