

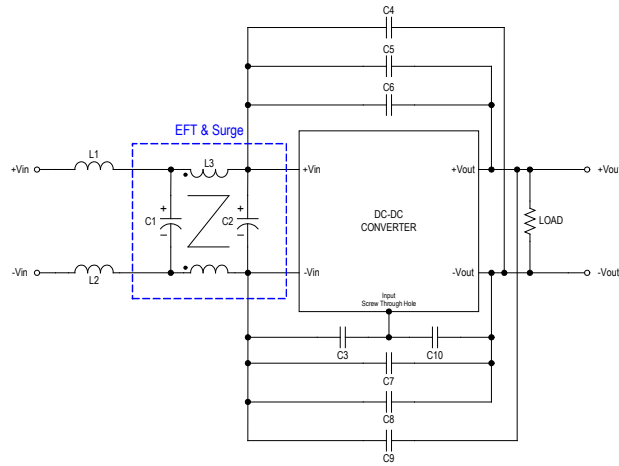


MINMAX[®]

MRZI150 Series - EMC Notes

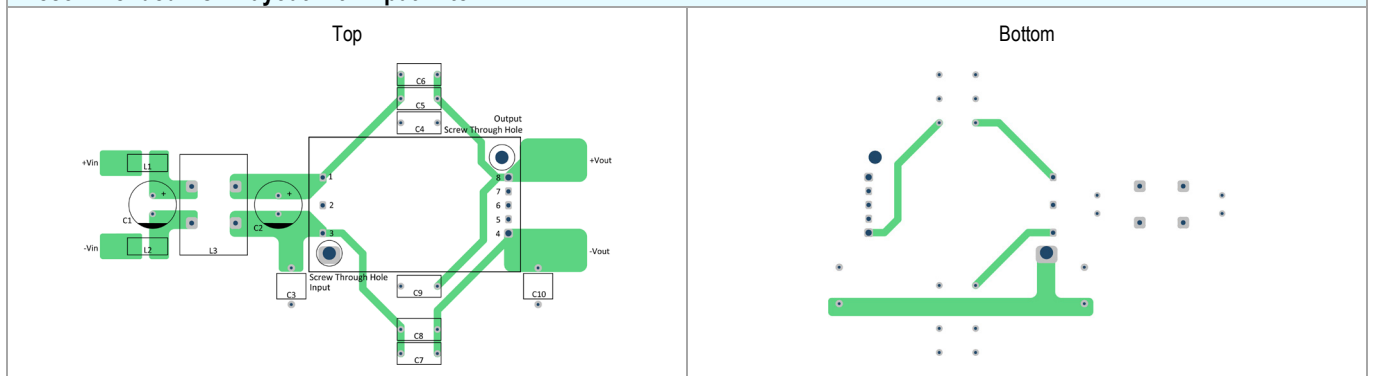
MRZI150 Series - EMC Notes

External Filter meets Total solution (for EFT & Surge & EMI) EN 55032, class A



Model	L1, L2	C1	L3	C2	C3, C10	C4, C9	C5, C8	C6, C7
MRZI150-110S05	425Ω(25MHz)/ 5A 7427512	150μF/200V CHEMI-CON KXJ Series	7mH/7A 7448040707	82μF/200V CHEMI-CON KXJ Series	220pF/Y1 Cap.	2200pF/Y1 Cap.	4700pF/Y1 Cap.	---

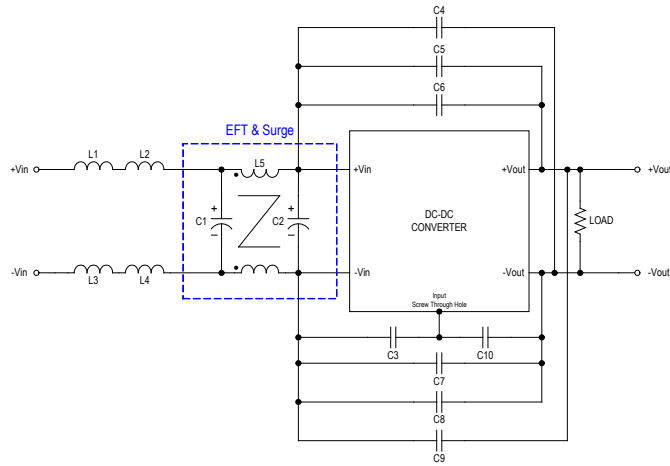
Recommended PCB Layout with Input Filter



Note : See more information about screws please refer to page 6.

MRZI150 Series - EMC Notes

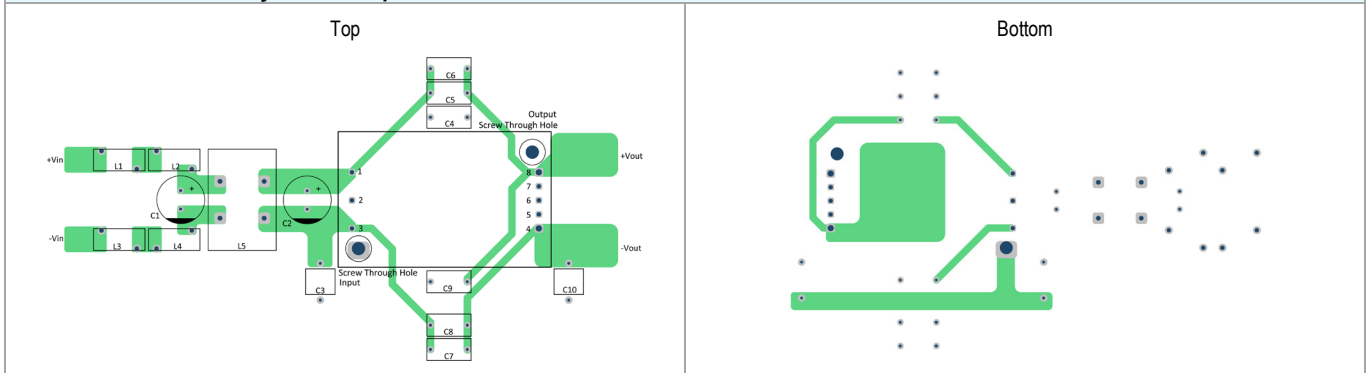
External Filter meets Total solution (for EFT & Surge & EMI) EN 55032, class A



Model	L1, L2, L3, L4	C1, C2	L5	C3, C10	C5, C8	C4, C6, C7, C9
MRZI150-110S12	2 μ H/5A 7847111020	150 μ F/200V CHEMI-CON KXJ Series	9mH/5A 7448030509	470pF/Y1 Cap.	4700pF/Y1 Cap.	---

Model	L1, L2, L3, L4	C1, C2	L5	C3, C10	C4, C9	C5, C8	C6, C7
MRZI150-110S15	2 μ H/5A 7847111020	150 μ F/200V CHEMI-CON KXJ Series	9mH/5A 7448030509	470pF/Y1 Cap.	2200pF/Y1 Cap.	4700pF/Y1 Cap.	---

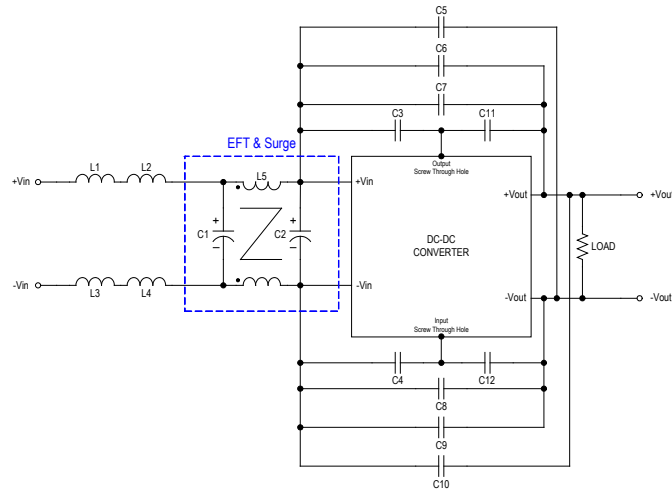
Recommended PCB Layout with Input Filter



Note : See more information about screws please refer to page 6.

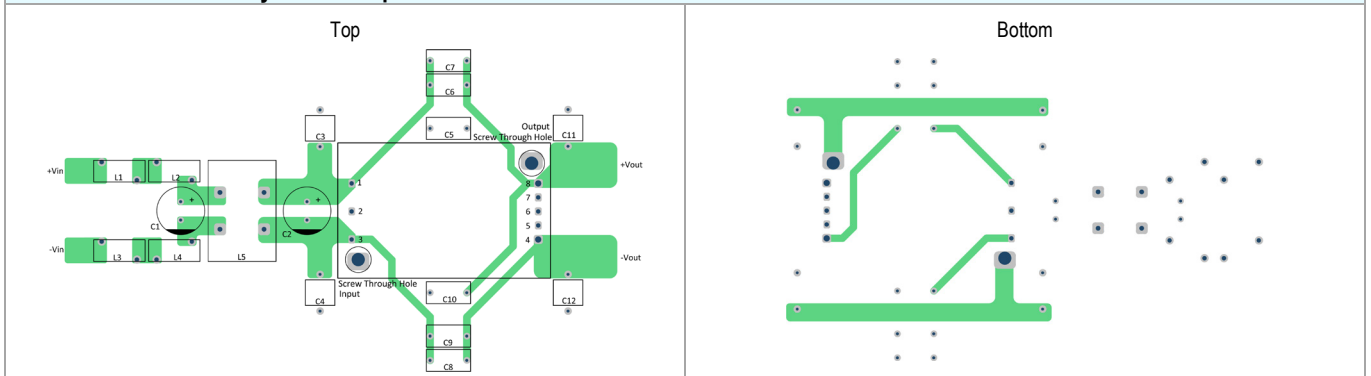
MRZI150 Series - EMC Notes

External Filter meets Total solution (for EFT & Surge & EMI) EN 55032, class A



Model	L1, L2, L3, L4	C1, C2	L5	C3, C4, C11, C12	C5	C6, C9	C7, C8, C10
MRZI150-110S24	2 μ H/5A 7847111020	150 μ F/200V CHEMI-CON KXJ Series	3.3mH/4A 744824433	220pF/Y1 Cap.	1000pF/Y1 Cap.	4700pF/Y1 Cap.	---

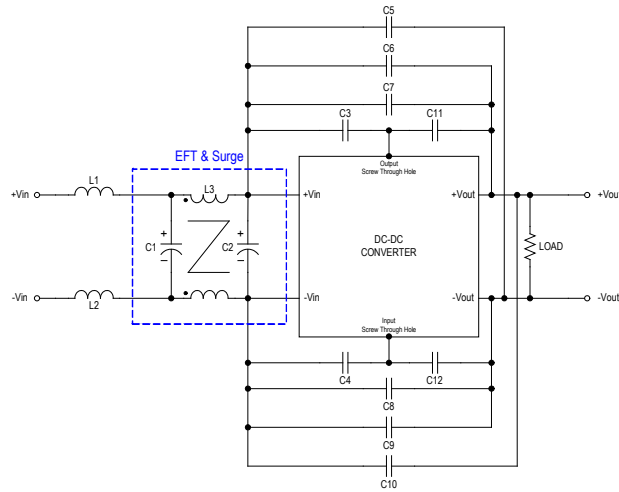
Recommended PCB Layout with Input Filter



Note : See more information about screws please refer to page 6.

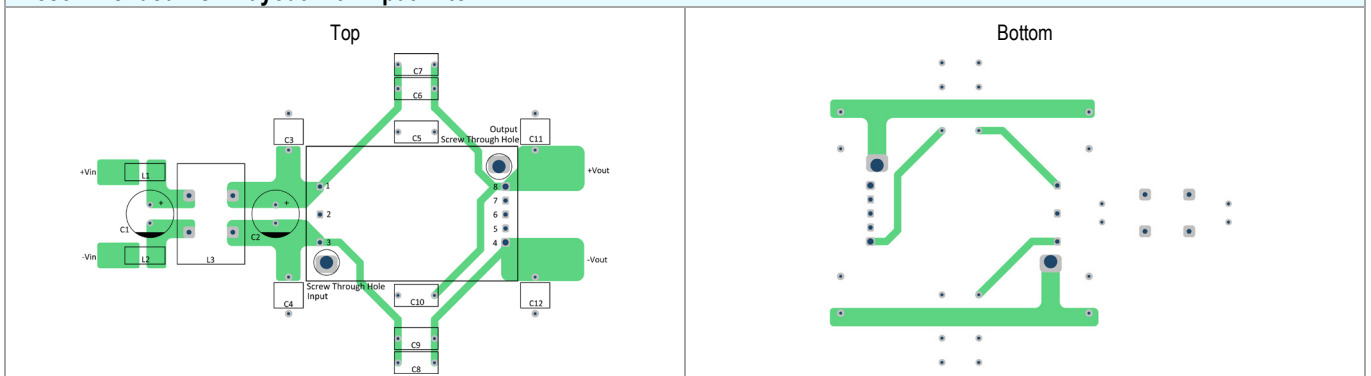
MRZI150 Series - EMC Notes

External Filter meets Total solution (for EFT & Surge & EMI) EN 55032, class A



Model	L1, L2	C1	C2	L3	C3, C4, C11, C12	C5, C7, C8	C6, C9	C10
MRZI150-110S54	425Ω(25MHz)/5A 7427512	150μF/200V CHEMI-CON KXJ Series	82μF/200V CHEMI-CON KXJ Series	7mH/7A 7448040707	220pF/Y1 Cap.	2200pF/Y1 Cap.	4700pF/Y1 Cap.	---

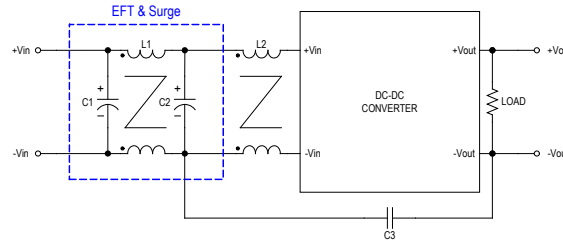
Recommended PCB Layout with Input Filter



Note : See more information about screws please refer to page 6.

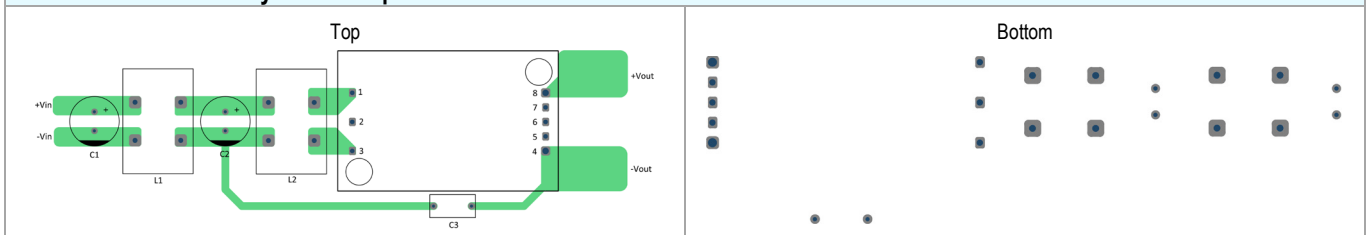
MRZI150 Series - EMC Notes

External Filter meets Total solution (for EFT & Surge & Conduction) EN 55032, class B



Model	C1	L1	C2	L2	C3
MRZI150 Series	390 μ F/200V CHEMI-CON KXJ Series	7mH/7A 7448040707	150 μ F/200V CHEMI-CON KXJ Series	2.2mH/6A 744824622	4700pF/Y1 Cap.

Recommended PCB Layout with Input Filter



MRZI150 Series - EMC Notes

EMC Solution

The aluminium base must with screws while using this EMC solution (if with heatsink, the screws are on heatsink), and applied torque per screw 1.8kgf.cm min.

