

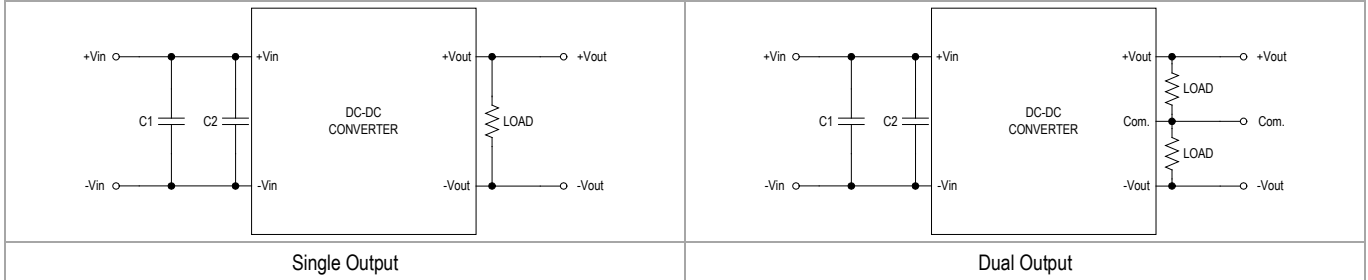


MINMAX[®]

MSCEU01-HI Series - EMC Notes

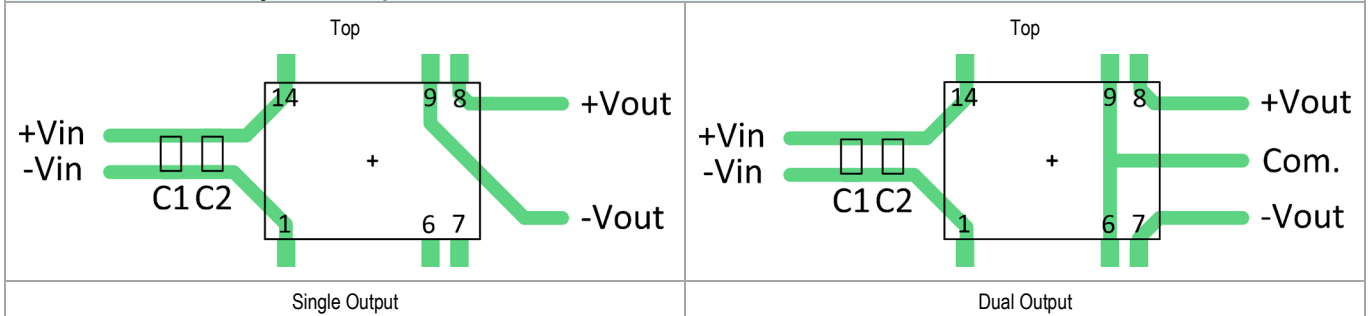
MSCEU01-HI Series - EMC Notes

External Filter meets EMI Conducted EN 55032, class A



Model	Class A	
	C1	C2
MSCEU01-05XXXHI	---	68 μ F/10V 1206 X5R
MSCEU01-12XXXHI	47 μ F/25V 1206 X5R	47 μ F/25V 1206 X5R
MSCEU01-24XXXHI	22 μ F/50V 1206 X5R	22 μ F/50V 1206 X5R

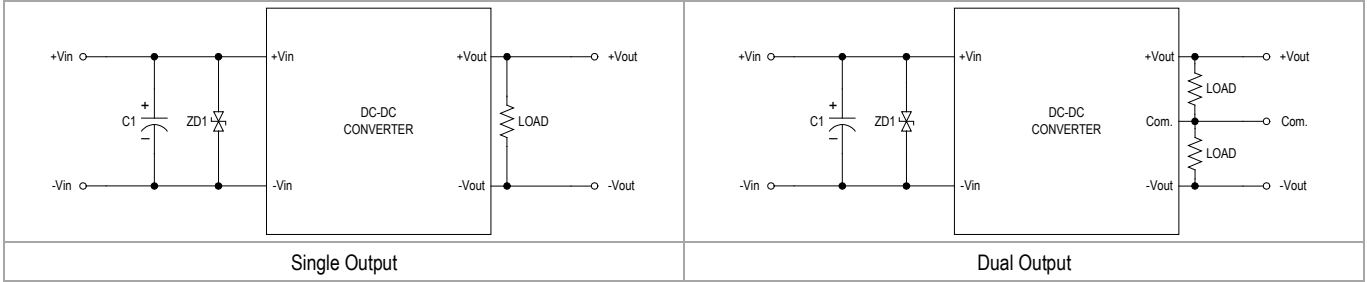
Recommended PCB Layout with Input Filter



MSCEU01-HI Series meet EN 55032 Radiated Emissions Class A without external components.

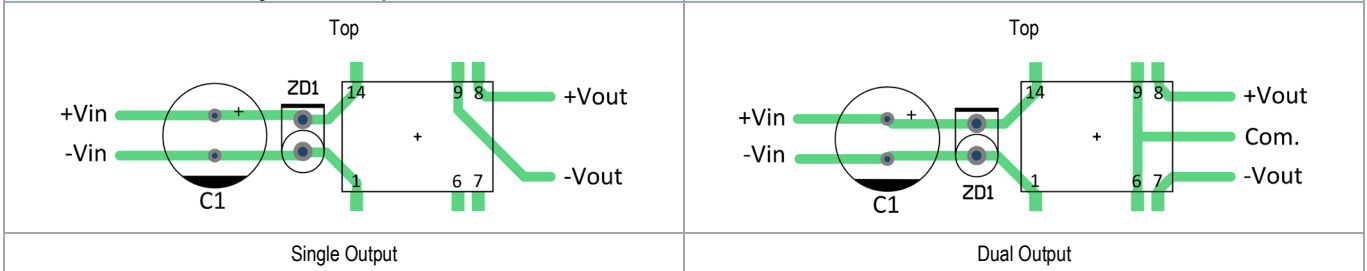
MSCEU01-HI Series - EMC Notes

External Filter meets EMS EFT & Surge EN 55035, criteria A



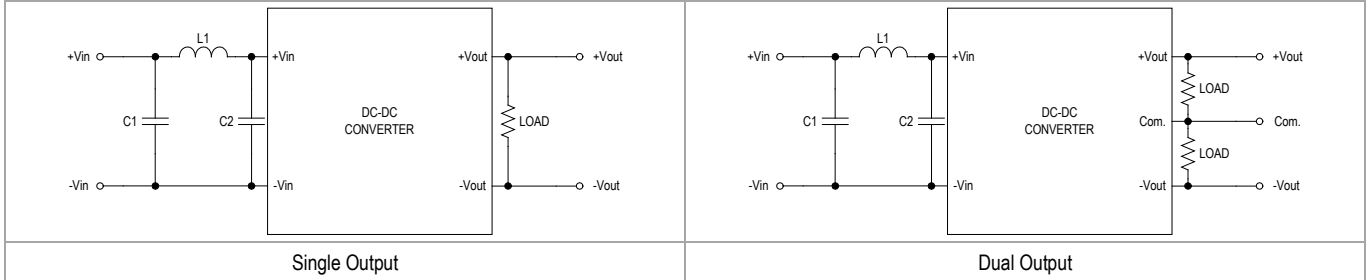
Model	Criteria A	
	C1	ZD1
MSCEU01-05XXXHI	3900 μ F/10V CHEMI-CON KY Series	1.5KE7.5CA (TVS Diode)
MSCEU01-12XXXHI	2200 μ F/16V CHEMI-CON KY Series	1.5KE18CA (TVS Diode)
MSCEU01-24XXXHI	470 μ F/50V CHEMI-CON KY Series	---

Recommended PCB Layout with Input Filter



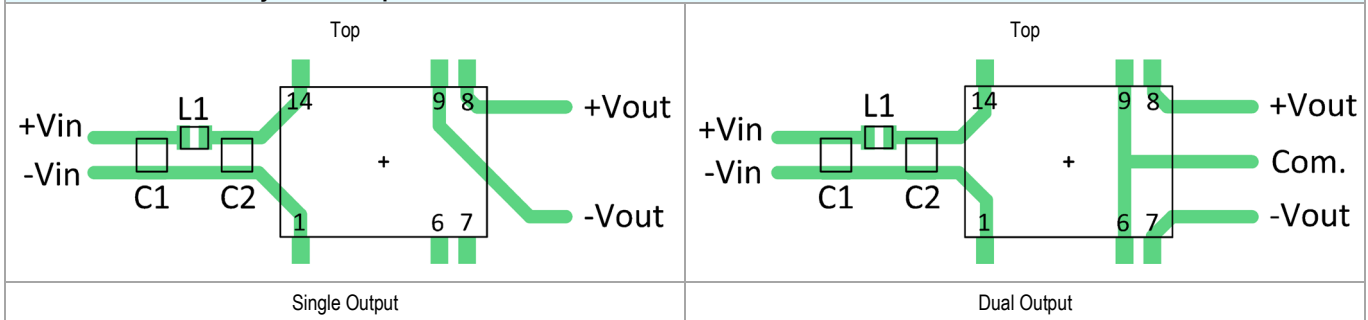
MSCEU01-HI Series - EMC Notes

External Filter meets EMI Conducted EN 55032, class B



Model	Class B	
	C1, C2	L1
MSCEU01-HI Series	47 μ F/50V 1210 X5R	4.7 μ H 74404024047

Recommended PCB Layout with Input Filter



MSCEU01-HI Series meet EN 55032 Radiated Emissions Class B without external components.