

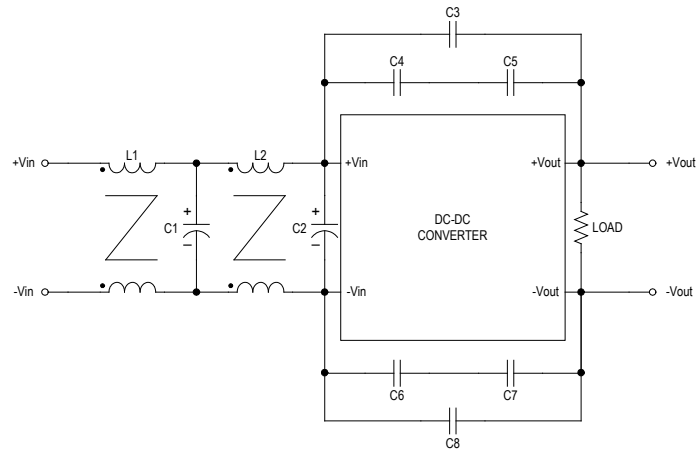


MINMAX[®]

MTQZ50 Series - EMC Notes

MTQZ50 Series - EMC Notes

External Filter meets Conducted and Radiated EMI EN 55011 & EN 55032, class A



| Model | L1 | C1 | L2 | C2 | C3, C8 | C4, C5, C6, C7 |
|---------------|------------|-------------------------|------------|------------------------|--------------------------|--------------------------|
| MTQZ50 Series | 7448012501 | 470 μ F/200V KXJ | 7448227005 | 68 μ F/250V KXJ | 4700pF/400VAC Y1 Cap. | 2200pF/400VAC Y1 Cap. |

Recommended PCB Layout with Input Filter

